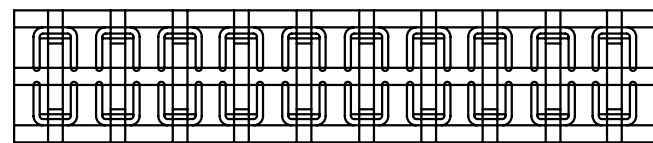
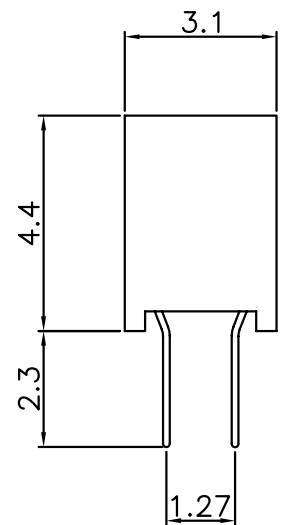
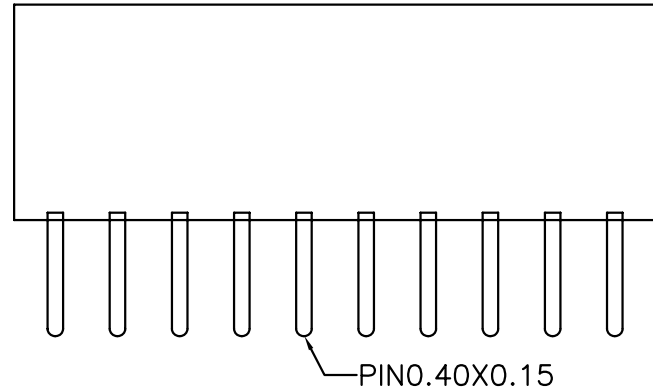
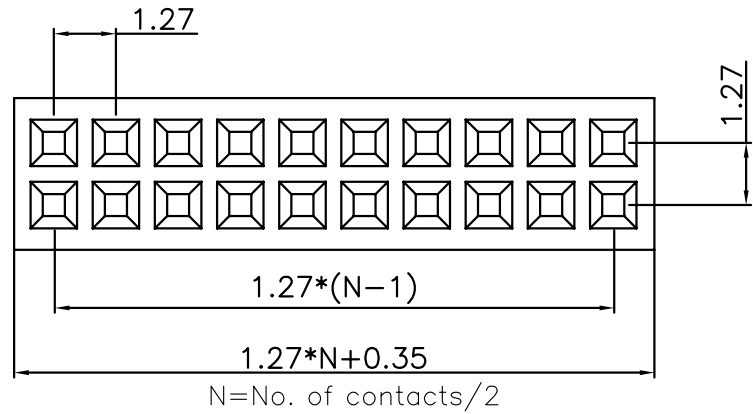


REV.	DESCRIPTION	DRAWN	CHECKED	APPROVED
A	NEW RELEASE	HP 25/06/05		



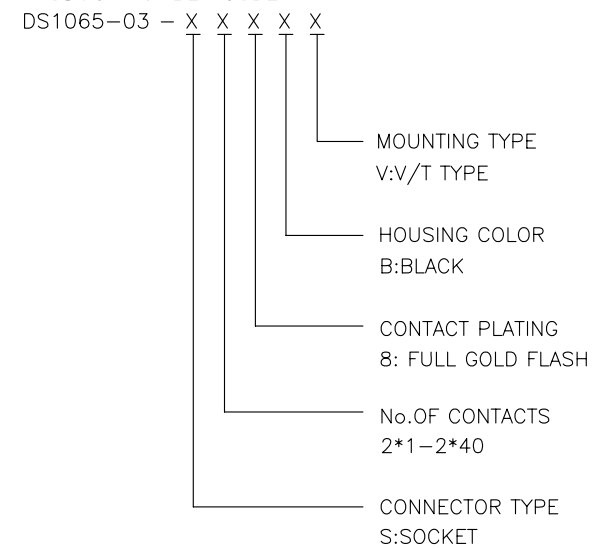
NOTES:

- SPECIFICATIONS
 - Current Rating: 1A
 - Insulation Resistance: 500MΩ Min
 - Dielectric Withstanding: 300V AC
 - Contact Resistance: 30mΩ Max
 - Operating Temperature: -20°C to +70°C

- MATERIALS
 - Contact Material: Copper alloy
 - Insulator: PBT(UL94V-0)

3.PART NUMBER: DS1065-03

4.PRODUCT NUMBER CODE:



GENERAL TOLERANCE		ANGLE TOLERANCE		PROJECTION		TITLE	FEMALE HEADER PITCH 1.27mm TYPE
X.	±0.60	X.	±5°	UNITS	mm	WITHOUT POLARIZATION V/T TYPE	
.X	±0.38	.X	±3°	SHEET SIZE	A4	SERIES	DS1065-03
.XX	±0.25	.XX	±2°	pbd 127			
DRAWING TYPE		CUSTOMER					
SCALE		1:1	SHEET	1 OF 1			
DRAWING NO.		C-DS1065-03-XXXXX					