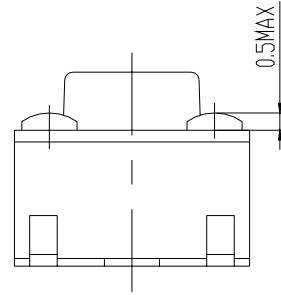
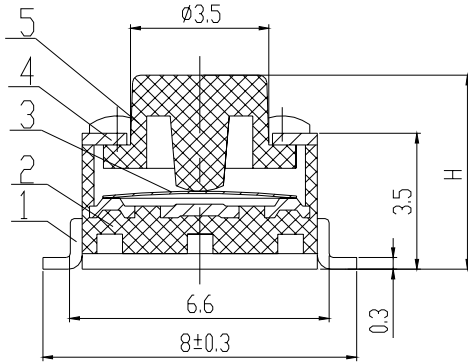
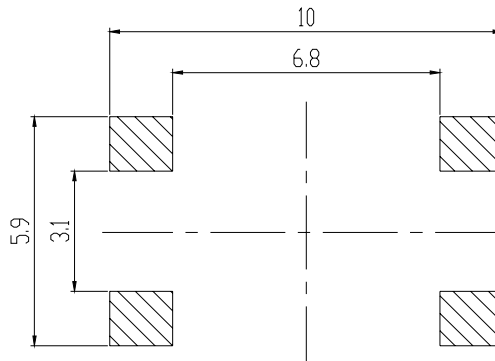
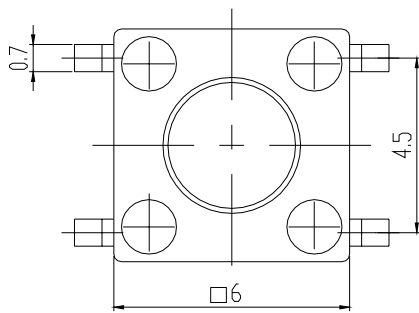


# APPROVAL SPECIFICATIONS

CUSTOMER	CUSTOMER'S P/N	GYE'S P/N	PRODUCT	REVISION
SHARP	KAN0642	TACT SWITCH	A	



P.C.B LAND PATTERN



General tolerance :  $\pm 0.1\text{mm}$

NO.	NAME	MATERIAL	NATIONALITY	QTY.	FINISHING
1	TERMINAL	Brass	China	1	Silver plating
2	CASE	FR52	USA	1	Black
3	CONTACT	Phosphor bronze	Korea	1	Contact side silver plating
4	COVER	SPCC-SD	China	1	CuSn plating
5	STEM	FR52	USA	1	Black

APPROVE BY	06.10.13	CHECKED BY	06.10.13	PRPARE BY	06.10.13
------------	----------	------------	----------	-----------	----------