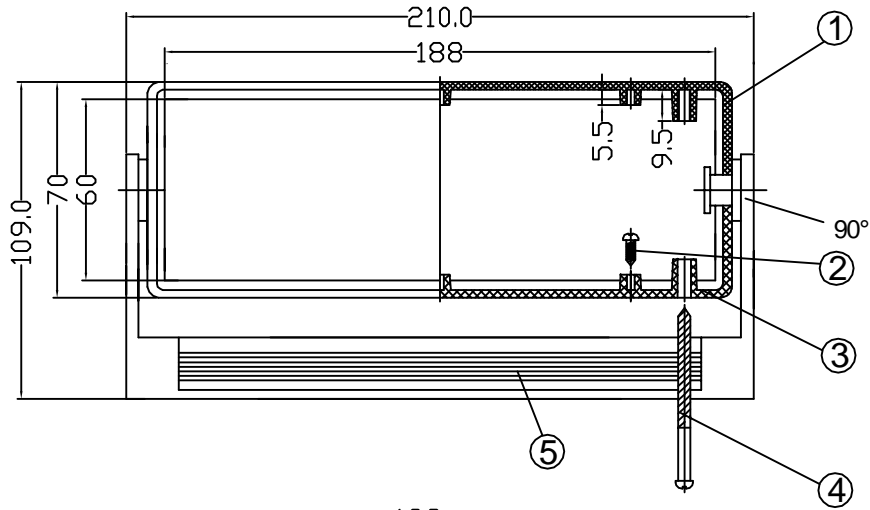
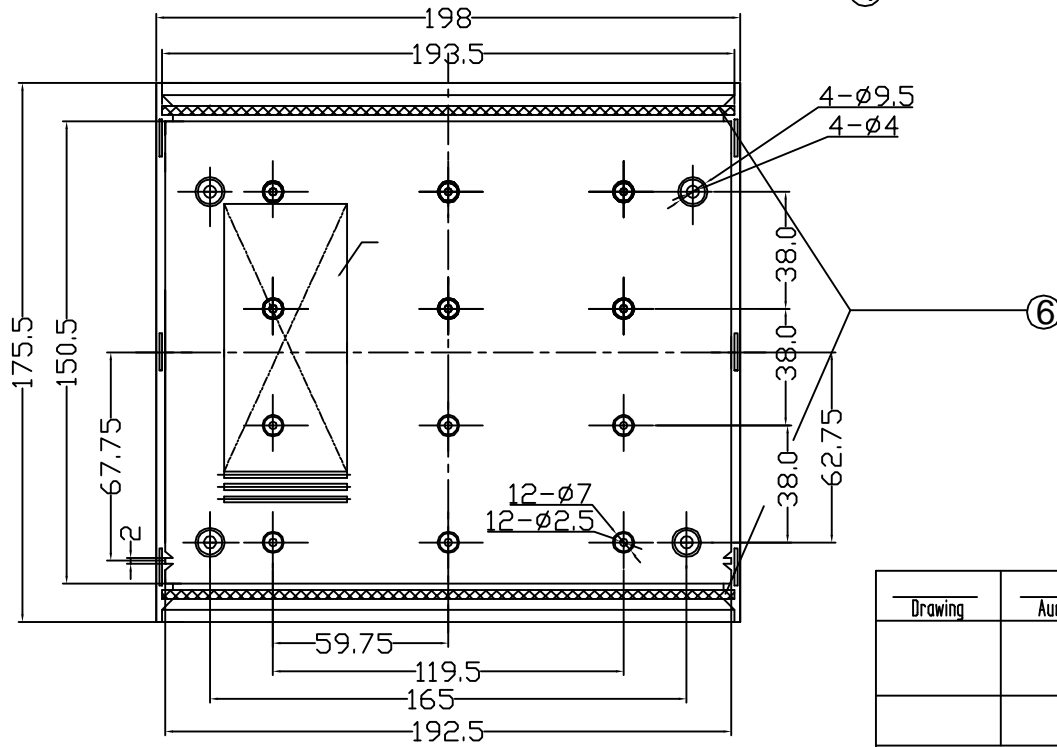


(198X175.5X70)



| | | | | | | |
|---|--|---|-----|--|--|-----|
| | | | | | | (g) |
| 1 | | 1 | ABS | | | 340 |
| 2 | | 4 | | | | |
| 3 | | 1 | ABS | | | |
| 4 | | 4 | | | | |
| 5 | | 1 | ABS | | | |
| 6 | | 2 | ABS | | | |



| | | | | | |
|---------|----------|---------|--------------|---------------|------|
| Drawing | Auditing | Confirm | Custom Name | Material | |
| | | | Product Name | Drawing Scale | A3 |
| | | | Product Code | Project View | (mm) |
| | | | 15-12 | | |