

1 2 3 4 5 6

A

A

B

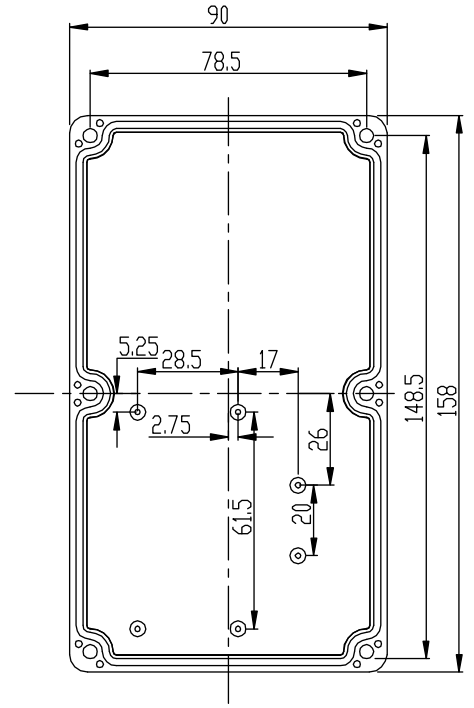
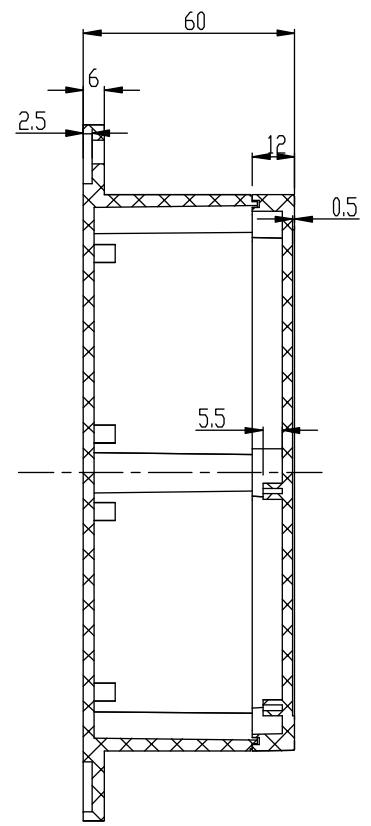
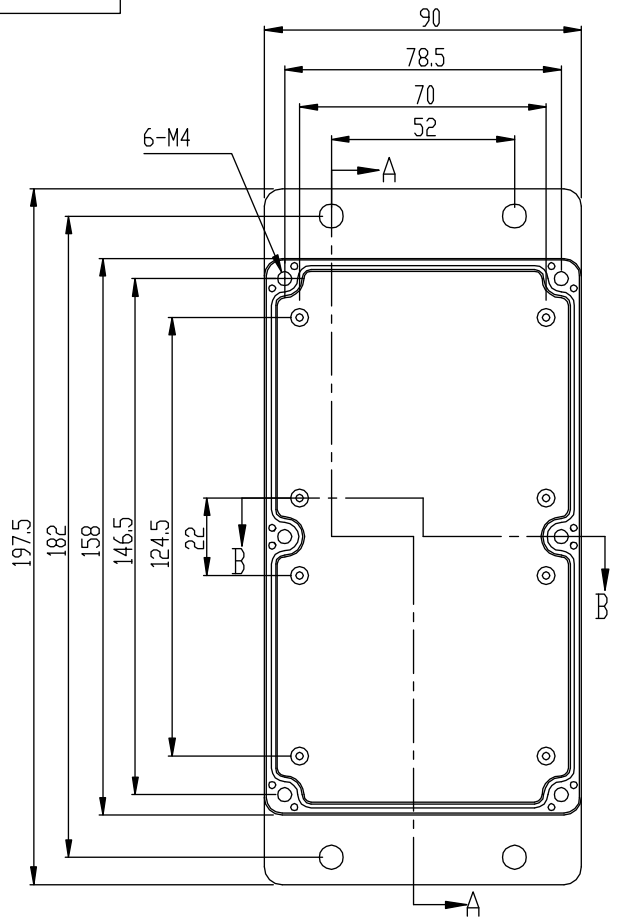
B

C

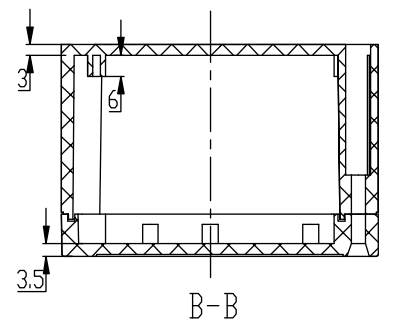
C

D

D



A-A



B-B

1 2 3 4 5 6

Drawing	Auditing	Confirm	Custom Name	Material	
			Product Name	Drawing Scale	A4
			Product Code	11-9	Project View
(mm)					