

NOTES:

MATERIAL:

1. HOUSING MATERIAL : GLASS FILLED POLYESTER(UL94V-0).
2. CONTACT MATERIAL : PHOSPHOR BRONZE  $\phi 0.46mm$  (C5100).
3. PLATING : GOLD PLATING OVER NICKEL.
4. SHIELD COPPER ALLOY 0.20mm THICKNESS PLATING NI.

ELECTRICAL:

1. VOLTAGE RATING : 125 VAC RMS.
2. CURRENT RATING : 1.5 AMP.
3. CONTACT RESISTANCE : 50 MILLIOHMS MAX.
4. INSULATION RESISTANCE : 500 MEGOHMS MIN @ 500V DC.
5. DIELECTRIC WITHSTANDING RESISTANCE : 1000V AC RMS 50HZ. 1MIN.

MECHANICAL:

1. DURABILITY : 750 CYCLES MIN.
2. PCB RETENTION PRE-SOLDER : 1 LB MIN.

ENVIRONMENTAL:

1. STORAGE : -40°C TO +85°C.
  2. OPERATION : 0°C TO 70°C.
- MATES WITH MODULAR PLUG CONFORMING TO FCC PART 68, SUBPART F.

PART NUMBER:

# 58-0310810XX2X

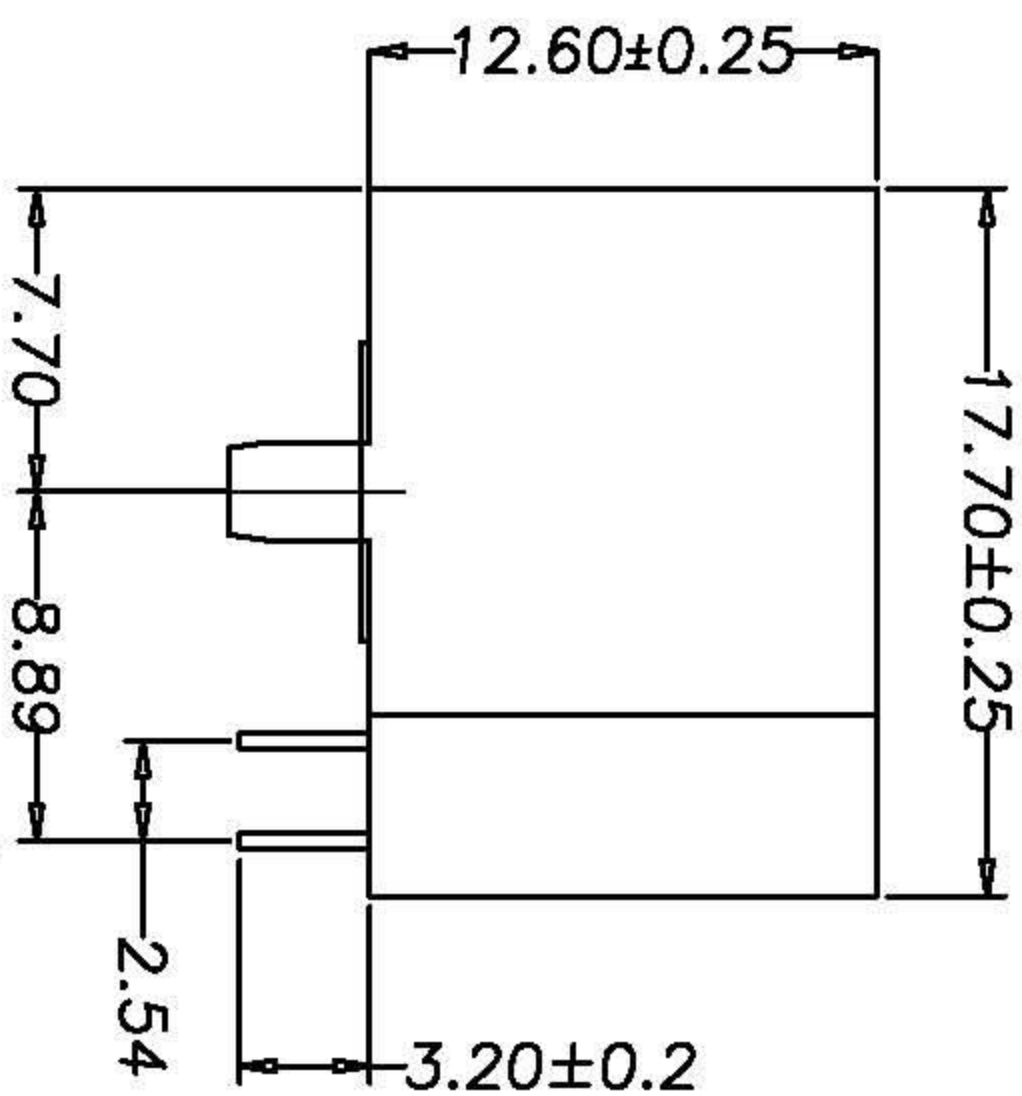
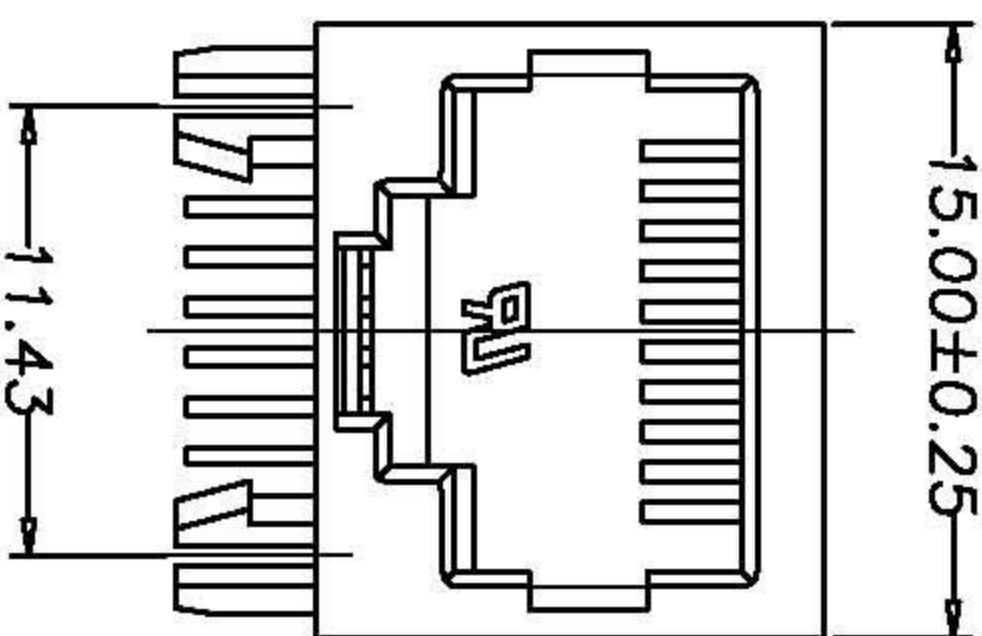
58 SERIES  
PCB JACK  
(58系列PCB接口)

SHIELD (屏蔽壳) :

- 1-W/O SHIELD (非屏)
  - 2-HALF SHIELD (半包)
  - 3-FULL SHIELD (全包)
- PORTS (插口) :
- 1-1X1 (一口) . 2-1X2 (二口)
  - 4-1X4 (四口) . 5-1X5 (五口)
  - 6-1X6 (六口) . 8-1X8 (八口)
- POSITIONS (金针位置) :
- 4-4POSITIONS (4P)
  - 6-6POSITIONS (6P)
  - 8-8POSITIONS (8P)
  - 0-10POSITIONS (10P)

CONTACTS (金针根数) :

- 2-2CONTACTS (2C) . 4-4CONTACTS (4C)
  - 6-6CONTACTS (6C) . 8-8CONTACTS (8C)
  - 0-10CONTACTS (10C)
- PEG/TAB (边定位铁脚) :
- 0-W/O PEG (无铁脚) . 1-FRONT PEG 3.05 (前脚3.05)
  - 2-FRONT PEG3.68 (前脚3.68) . 3-FRONT PEG4.57 (前脚4.57)
  - 4-BACK PEG3.05 (后脚3.05)



GOLD PLATING

(鍍金厚度)

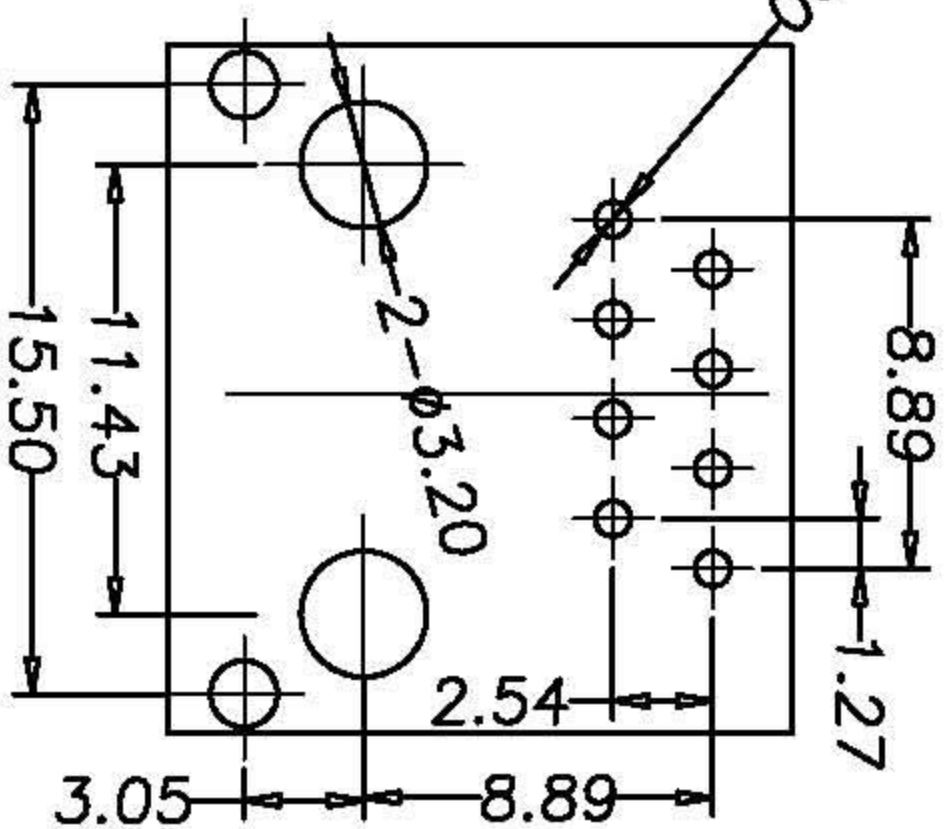
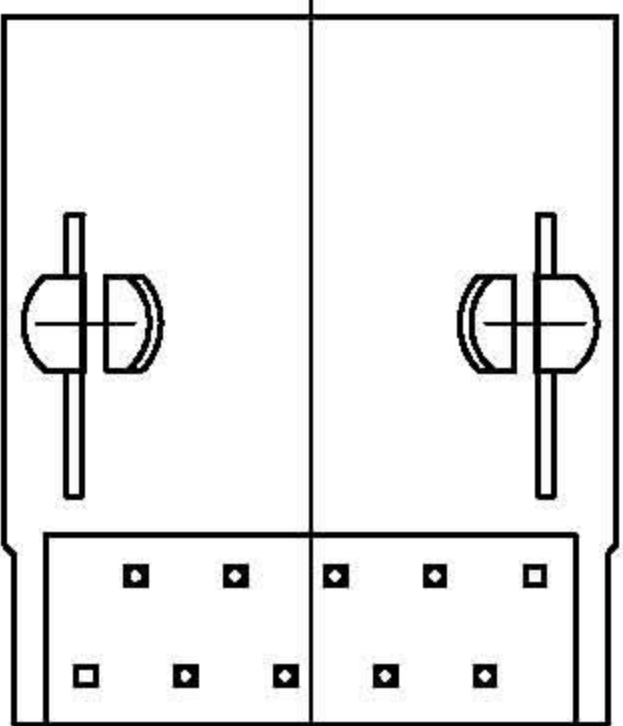
- 1-F U" . 2-1.5U"
- 3-3U" . 4-6U"
- 5-15U" . 6-30U"
- 7-50U"

LOGO (标识) :

- 0-W/O LOGO (无标识)
- 1-W/
- 2-W/ UL (有UL标识)
- 3-W/ UL

COLOR (颜色) : 1-BLACK (黑色)

- 2-WHITE (白色) . 3-GRAY (灰色) . 4-IVORY (象牙色)
  - 5-YELLOW (黄色) . 6-RED (红色)
  - 7-GREEN (绿色) . 8-BLUE (蓝色)
- PLASTIC (塑料) :
- 1-PBT . 2-NYLON66 (尼龙66)
  - 3-NYLON46 (尼龙46) . 4-ABS
- BACK PEG (后背铁脚) :
- 0-W/O BACK PEG (无后背铁脚)
  - 1-1BACK PEG (1个后背铁脚)
  - 2-2BACK PEG (2个后背铁脚)
  - 3-3BACK PEG (3个后背铁脚)



尺寸 (MM)		公差	
0	±0.20	±	±
.00	±0.15	±	±
.000	±0.075	±	±

设计者/日期	张卫/10.03.10
审核/日期	张卫/10.03.10
材料:	批号 zhangke
数量:	日期 10.03.10
表面处理:	
比例:	1:1

系列	名称
58-004	5801-10P8C
图号:	58-004
材料:	不按比例

REVISION RECORD				
REV	ECO	DESCRIPTION	DRAFT	CHKD
△		原始版本		

04 | 03 | 02 | 01 | 9 | 8 | 7 | 6 | 5 | 4 | 3 | 2 | 1