

SSR-3P Series Three Phases Solid State Relay (DC-AC)

Solid State Relay (DC-AC)

Features

- Current:0.5A~400A
- Voltage:12V~680V
- Small General outline Vacuum Weld Technics
- Make R/C(MOV) inside could absorb out ITSM
- Led indicator showing "ON" or "OFF"
- Clarity protect Panel
- IEC standard
- Input & output type could chose
- DC/AC AC/AC DC/DC AC/DC

Typical Applications

- AC DC switch & Temp control
- Automate Control
- Numerical Control Machinery

Ordering Information Table

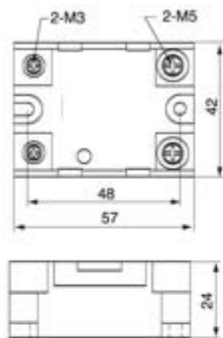
Device Code	SSR - D 48 40 R 1
	① ② ③ ④ ⑤ ⑥
1	Solid state relay
2	-D=DC to AC (DC3-32V) A=AC to AC V=Voltage regulator HD=Industry standard DC/AC 3P=3-phase DC/AC
3	-Rated operational voltage, code × 10(48 × 10=480V)
4	-Rated operational current
5	-None=Zero cross trigger R=Random switch
6	-Outline: None=crydom type, black cover 1=FOTEK type, white cover 2=OMRON type, grey cover



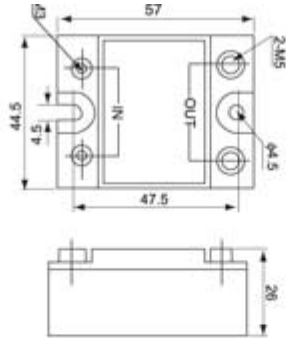
SSR-3P Series Three Phases Solid State Relay (DC-AC)

Rated load current	Control voltage	Open current	Turn-off voltage	Load voltage	Voltage drop	Off-state leakage	dv/dt	Turn-on time	Turn-off time	Frequency range	Insulation voltage	Tj	Outline
A	V	mA	V	V	V	mA	V/μs	ms	ms	Hz	V	°C	
10	4~32	8-25	<1.5	90-660	≤1.5	≤3.0	200	10	10	50/60	2500	-30 °C ~ +80 °C	SSR6
25	4~32	8-25	<1.5	90-660	≤1.5	≤3.0	200	10	10	50/60	2500		
40	4~32	8-25	<1.5	90-660	≤1.5	≤3.0	200	10	10	50/60	2500		
60	4~32	8-25	<1.5	90-660	≤1.5	≤3.0	200	10	10	50/60	2500		
75	4~32	8-25	<1.5	90-660	≤1.5	≤3.0	200	10	10	50/60	2500		
90	4~32	8-25	<1.5	90-660	≤1.5	≤3.0	200	10	10	50/60	2500		

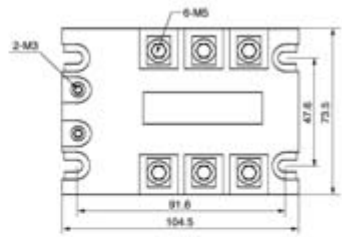
RUICHI



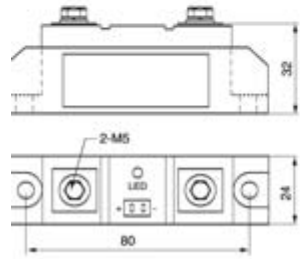
SSR-1



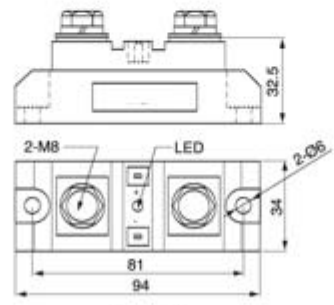
SSR-2



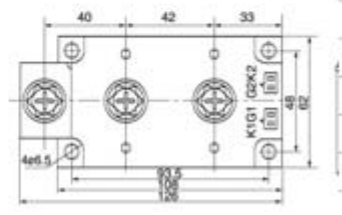
SSR-6



SSR-3



SSR-4



SSR-5