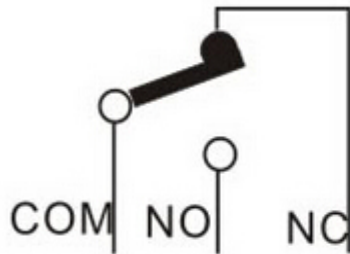


SM3-03P/SM5-03P

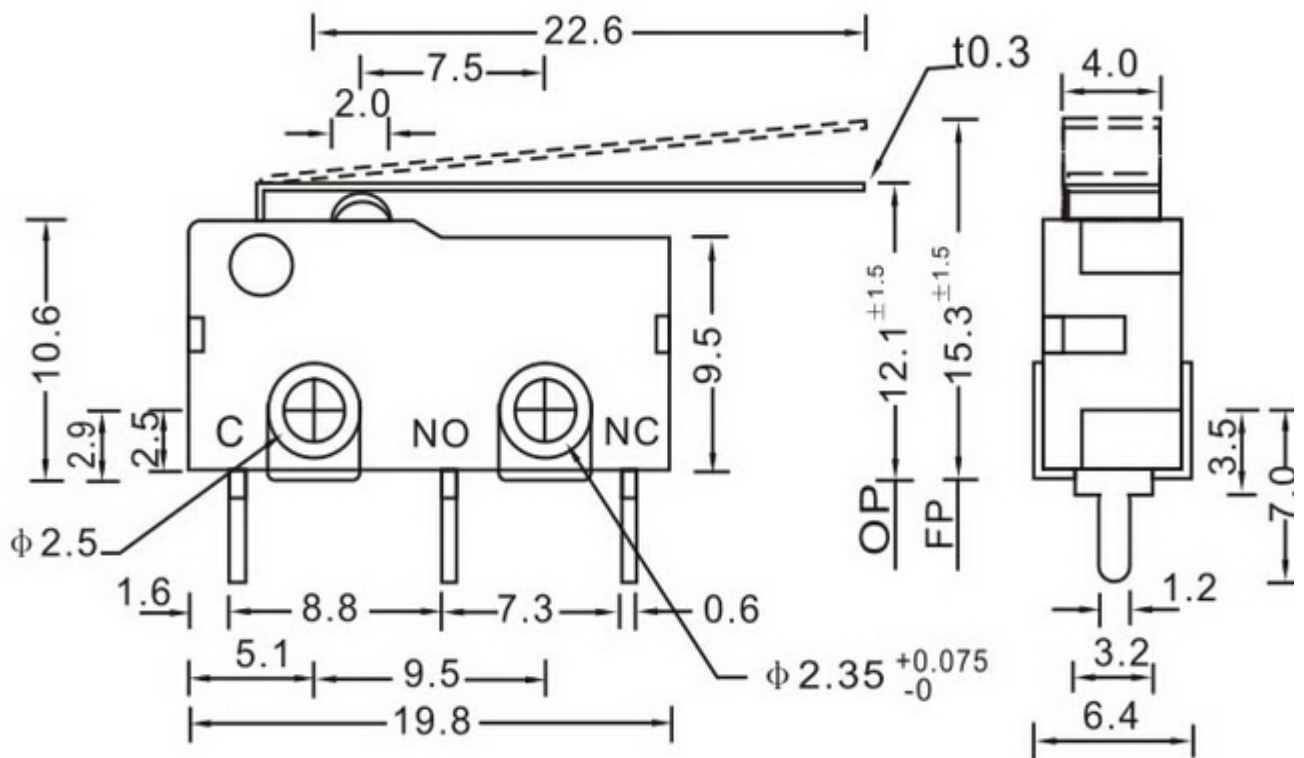
SCHEMATIC



SM5-03P 250V 3a



ZIP-2002.ru



|↔7.0↔|

u

|