

SPECIFICATION

SHEET FOR APPROVAL

CUSTOMER:

CUSTOMER MODEL NO:

PRODUCTS: SPEAKER

MODEL: Д и н а м и к 15x11мм 8 Ом 1W

DATE: 2014-3-1

MODEL NO: 15*11 8Ω 1.0W 3.5H L=15mm

APPROVED	CHECKED	DESIGNED

CUSTOMER APPROVED

SIGNATURE	IMPRINTMENT

Shenzhen Rui Chi electronic Co., Ltd

TEL: 0755-23956133

FAX: 0755-23956122

RUICHI

SPECIFICATIONS

4-1

TYPE NO.

Динамик 15x11мм 8 Ом 1W

1. PRODUCT OUTLINE

1-1 SCOPE	This specification is a typical speaker unit for telephone hand set
1-2 DIMENSIONS	As shown in fig (1)
1-3 NET WEIGHT	APPROX. 1.2 grams
1-4 OPERATING TEMPERATURE	-30°C to +70°C
1-5 STORAGE TEMPERATURE	-40°C to +85°C

2. ELECTROACOUSTIC CHARACTERISTICS

2-1 TEST SET UP	Measuring conditions and procedures shown in fig(2)
2-2 IMPEDANCE	$8\Omega \pm 15\%$ ohm (at 2 KHz, 0.9Vrms)
2-3 SOUND PRESSURE LEVEL	90dB ± 3 dB SPL /0.1W/10mm at 500、800、1000、1200Hz .AVE
2-4 FREQUENCY RESPONSE	$900 \pm 20\%$ HZ
2-5 INPUT POWER (NOM. /MAX.)	0.8W/1.2W
2-6 AUDIBLE NOISE	Must be free audible noise (buzzes and rattles) (350 ~ 10KHz frequency range , input level up to 2.53Vrms)
2-7 DISTORTION	Less than 10% at 1KHz 0.8W

C H A N G E S						
	NO.	DATE	BEFORE	AFTER	REASON OF CHANGE	SIGN.

RUICHI

SPECIFICATIONS

4-2

TYPE NO.

Динамик 15x11мм 8 Ом 1W

3.RELIABLE TEST

3-1 GENERAL	After any following tests the response at 1 KHz shall not deviate more than ± 3 dB from the initial value
3-2 LOAD TEST	Input power: 0.8 W ,white noise 48 hours
3-3 HUMIDITY TEST	Temperature: $+40^{\circ}\text{C} \pm 2^{\circ}\text{C}$ Relative Humidity: 90%~95% Duration: 48 hours (recovery 6 hours)
3-4 DROP TEST	Height: 1.0M Cycle: 10cycles
3-5 VIBRATION TEST	Frequency: 10-55Hz. Amplitude: 1.5mm Duration: 2 hours in each 3axes
3-6 TEMPERATURE SHOCK TEST	<p>Temperature: $-40^{\circ}\text{C} \pm 3^{\circ}\text{C}$ \longleftrightarrow $+85^{\circ}\text{C} \pm 3^{\circ}\text{C}$ Cycle: 20 cycles Duration: 2 hour 2 hour (recovery 2 hours)</p> <p>The diagram illustrates a temperature shock cycle. It starts at -40°C, ramps up to $+85^{\circ}\text{C}$ in 2 hours, dwells at $+85^{\circ}\text{C}$ for 2 hours, ramps down to -40°C in 2 hours, dwells at -40°C for 2 hours, and finally ramps up to $+25^{\circ}\text{C}$ in 2 hours. A double-headed arrow indicates that the total duration of one cycle is between 20 and 40 minutes.</p>
3-7 HIGH TEMPERATURE TEST	Temperature: $+85^{\circ}\text{C} \pm 3^{\circ}\text{C}$ Duration: 48 hours
3-8 LOW TEMPERATURE TEST	Temperature: $-40^{\circ}\text{C} \pm 3^{\circ}\text{C}$ Duration: 48 hours
3-9 TERMINAL STRENGTH TEST	Load : 1.0Kg Duration: 15sec. (Shall be normal)

CHANGES						
	NO.	DATE	BEFORE	AFTER	REASON OF CHANGE	SIGN.

RUICHI

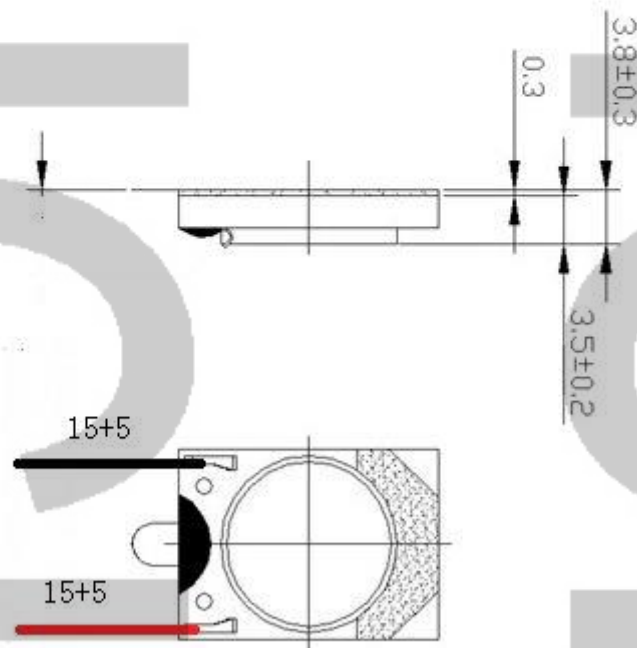
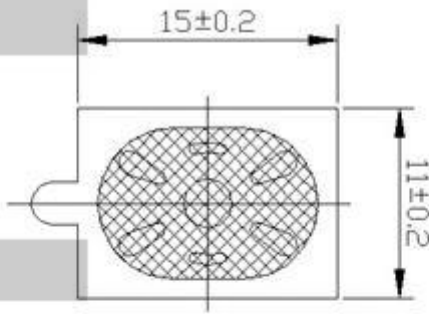
SPECIFICATIONS

4-3

TYPE NO.

Динамик 15x11мм 8 Ом 1W

4.DIMENSIONS (fig. 1)



单位:mm

C H A N G E S						
	NO.	DATE	BEFORE	AFTER	REASON OF CHANGE	SIGN.

