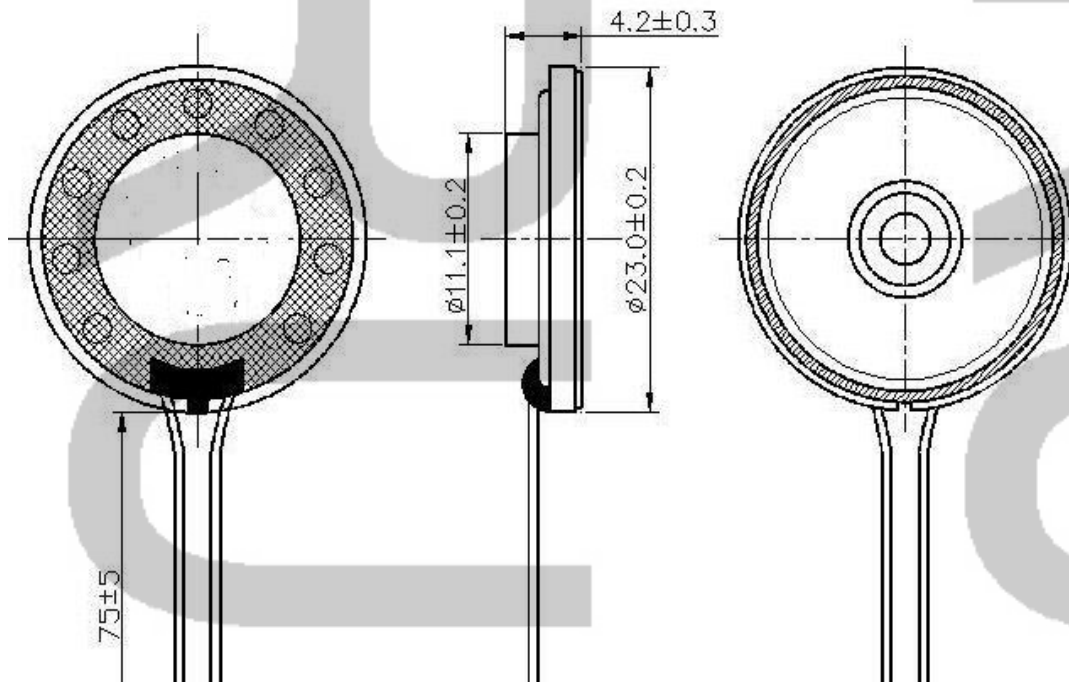


ENGINEERING LABORATORY SPECIFICATION		ITEM NO	Динамик d=23мм м 8 Ом 2W
		(DATE)	2014/5/3
NO	Item	Specifications	Conditions
1	Part Number	Динамик d=23мм 8 Ом 2W	
2	Type	MYLAR	
3	Dimension	Φ 23 ×H4. 0mm	
4	Voice Coil Imp	8± 15% Ohm	AT 1000 Hz 1.0 V
5	Input Power	Normal Input 2W	Maximum Input 2W
6	Resonance FO	530± 20% Hz	Input 1V without A baffle
7	Output SPL	112± 3 dB	AT 1.0W ON AXIS CALIBRATION ROOM 0.1M MEASVRMENT CRY6125Y LABORATORY FREE FIELD AVERAGE 600,800,1000,1200 Hz
8	Response	SPL-10dB FO ~20 K Hz MAX	
9	Polarity	When a positive D.C.current is applied to the voice coil terminal marked to The diaphragm shall move for ward	
10	Operation Test	Must be normal at program Source	2W
11	Buzz Rattle Etc	Must be normal at Sine Wave	2.5V
12	Load Test	After test meet item White noise	1W 96 Hours
13	Distortion	7% MAX	AT 1000 Hz 1.2W
16	Total Weight	g	
17	(High Temperature Test)	After 55±3℃	96Hour
18	(Low Temperature Test )	After -25±3℃	96Hour
19	(Humidity Test )	After 40±3℃ 90~95% R.H.	96Hour
Remark:			

DARW

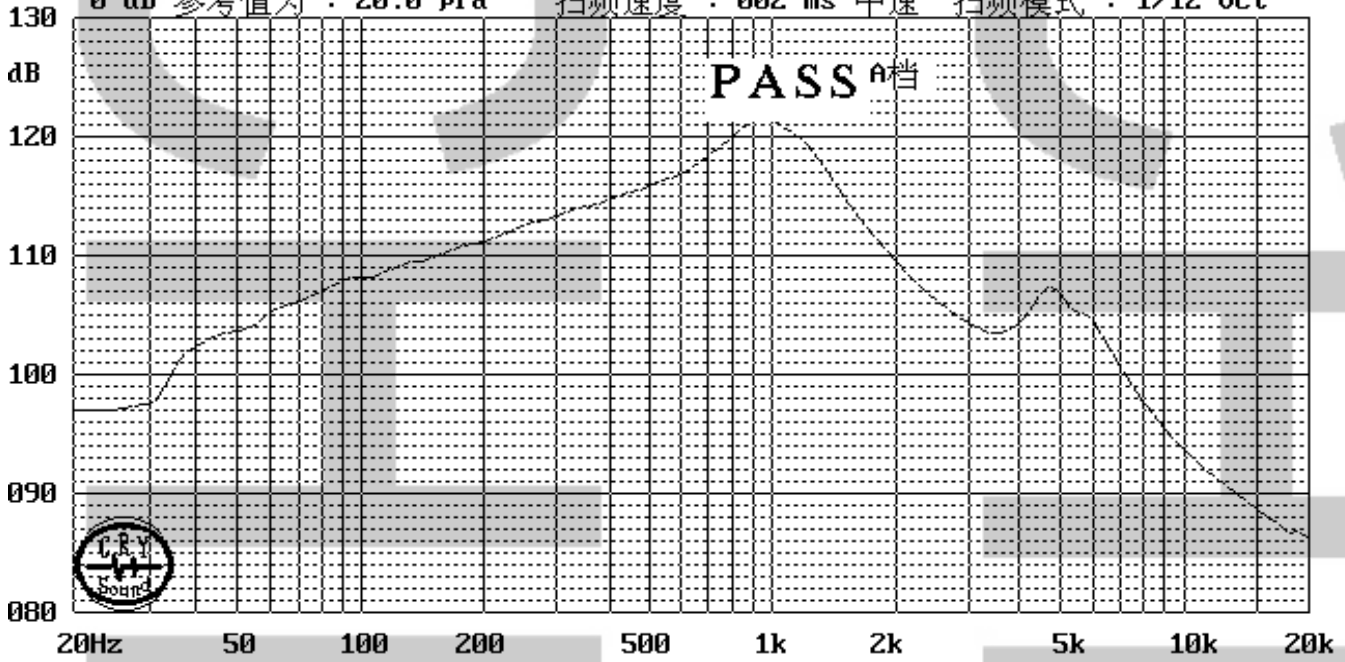


07/30/2008 10:48

CRY6125Y 扬声器测试仪 V91

无框 滤波器1次

DCR= \_\_\_\_\_  $\Omega$       1000Hz灵敏度 : 121.39 dB      ACZ: \_\_\_\_\_  $\Omega$       Qm: \_\_\_\_\_  
 Veq= \_\_\_\_\_ dm3  $\rightarrow$  平均灵敏度 : 112.28 dB      Zm : \_\_\_\_\_  $\Omega$       Qe: \_\_\_\_\_  
 Dist.=100 cm      F1= 10Hz      F2=40000Hz      F0 : \_\_\_\_\_ Hz      Qt: \_\_\_\_\_  
 型号:hs28  
 0 dB 参考值为 : 20.0  $\mu$ Pa      扫频速度 : 002 ms 中速      扫频模式 : 1/12 Oct



RUICHI