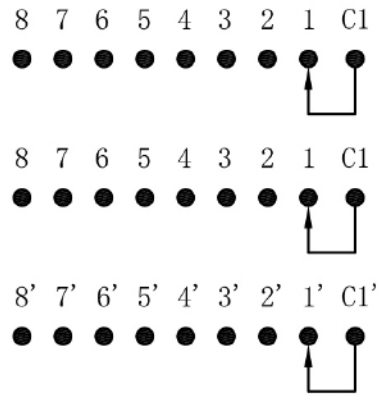
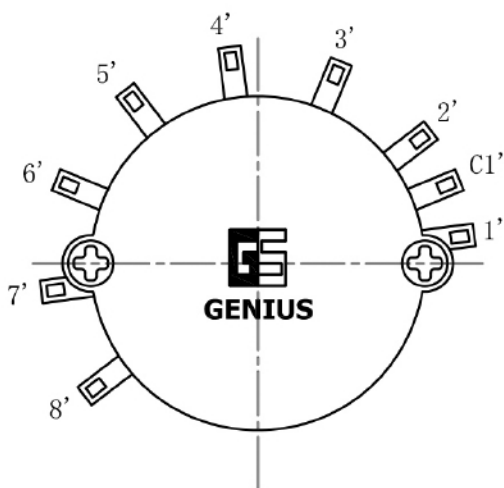
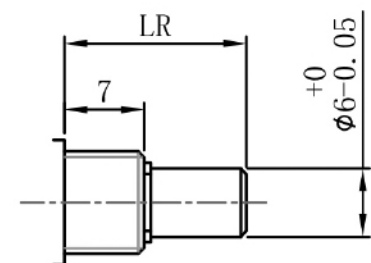
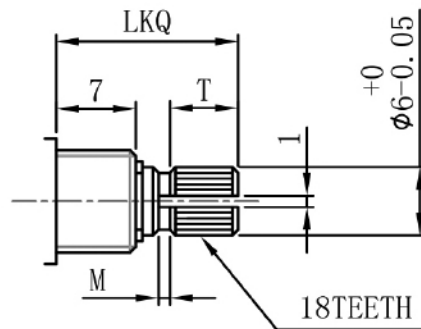
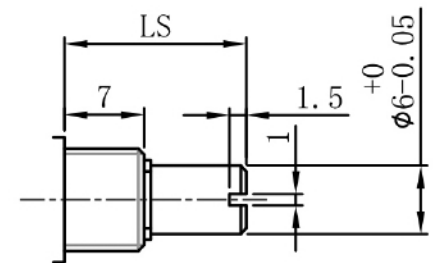
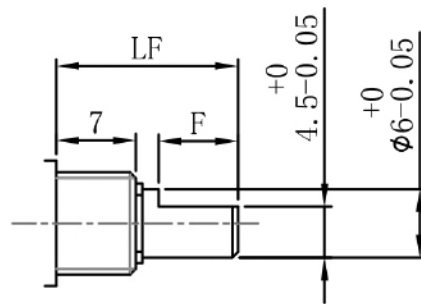
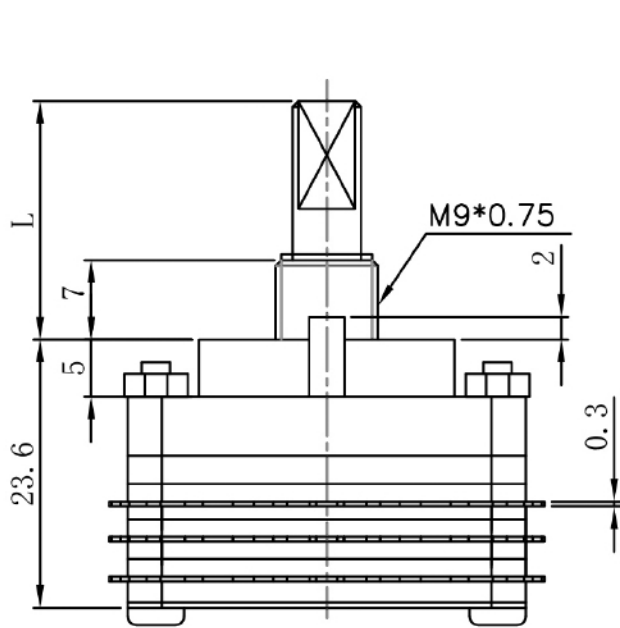


SHAFT SHOWN IN FULL  
C. C. W. POSITION



Circuit Diagram



X=R		X=S		X=KQ				X=F		
W	LR	W	LS	W	LKQ	T	M	W	LF	F
10	10	10	10	10	10	2	0.5	10	10	2
12	12	12	12	12	12	3	1	12	12	3
13	13	13	13	13	13	4	1	13	13	4
15	15	15	15	15	15	5.5	1	15	15	7
17	17	20	20	20	20	8.5	2	20	20	12
20	20	25	25	25	25	12	2	25	25	12
25	25	30	30	30	30	12	2	30	30	12
30	30									

		NAME		RCL371-3-3-8	
		Factory		RUI CHI	
DATE	DESCRIPTION	DRAWN BY		CHECK BY	APPROVED BY
TOLERANCE		SCALE			
less than 10 ±0.3					
above 10-30 ±0.5					
above 30-100 ±1.0					
		Zeng			
		2022.09.04			