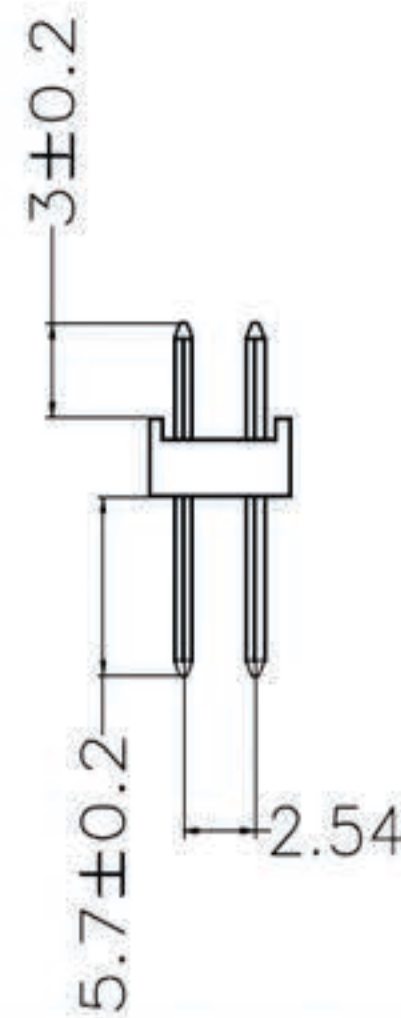
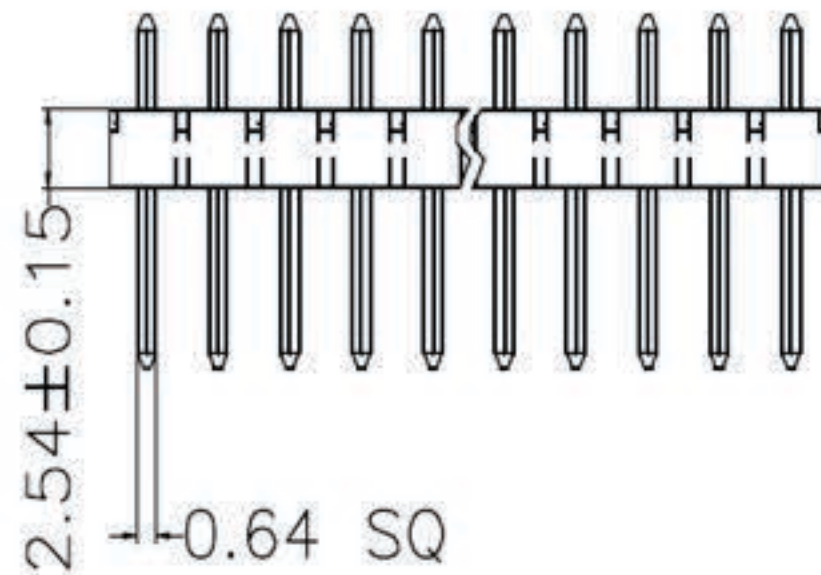
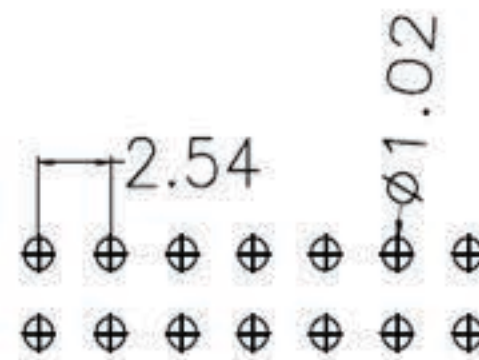
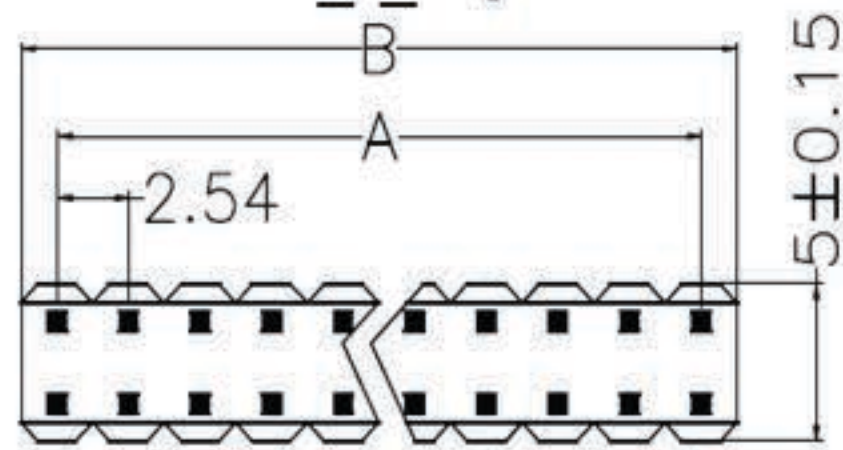


ITEM: PLD 2x ( шаг 2.54 мм)



SPECIFICATIONS

Current Rating: 3Amps  
 Insulation Resistance: 1000M Ω min  
 Withstanding Voltage: 1000VAC  
 Contact Resistance: 20m Ω max  
 Operating Temperature: -40° C to +105° C  
 Standard: PBT  
 Contact Material: Brass  
 Contact Plating: Au or Sn Over Ni  
 Max. Processing Temp: 180 °C for 30-60 second  
 (200 °C for 10 second)

Code Description

CH-254-PH-2-XX-254-S-115-GO-A

(1) (2) (3) (4) (5) (6) (7) (8) (9)

- (1) Pin Spacing: 254=2.54mm
- (2) Product Name: PH=Pin Header
- (3) No. of Rows: 1=Single 2=Dual Row
- (4) No. of Pins Per Row: 2-40
- (5) Insulator Material
- Height: 150=1.5mm; 200=2.0mm; 254=2.54mm
- (6) Contact Type: S=Straight; R=Right/Angle; M=SMT
- (7) Contact Material Length: 112=11.2mm; 115=11.5mm
- (8) Contact Plating: SN=Tin; GO=Gold Flash; SO=Gold Flash/Tin; AU08=Au0.8u''
- (9) Insulator Material Option:  
 A=BK-PBT; B=BK-PA6T; C=BK-PA46; D=BK-LCP; S=Special

Shenzhen Rui Chi electronic Co. , Ltd

UNLESS OTHERWISE SPECIFIED TOLERANCE  
 X : ±0.3 X° : ±5°  
 X.X : ±0.2 X.X° : ±1°  
 X.XX : ±0.2 X.XX° : ±0.5°

DRAWN NAME: CH-254-PH-2-XX-254-S-112-GO-A

SIZE	A4	SCALE	N:1	PROUCT
REV	A	UNIT	mm	PROJECT
				⊕
				PAGE 1/1

CHECKED LIU SHENG HUI DATE 05/28 CHECKED DATE /

No. of	DIN. A	DIN. B	No. of	DIN. A	DIN. B	No. of	DIN. A	DIN. B	No. of	DIN. A	DIN. B
1	0.00	2.54	11	25.40	27.94	21	50.80	53.35	31	76.20	78.74
2	2.54	5.08	12	27.94	30.48	22	53.35	55.88	32	78.74	81.28
3	5.08	7.62	13	30.48	33.02	23	55.88	58.42	33	81.28	83.82
4	7.62	10.16	14	33.02	35.56	24	58.42	60.96	34	83.82	86.36
5	10.16	12.70	15	35.56	38.10	25	60.96	63.50	35	86.36	88.90
6	12.70	15.24	16	38.10	40.64	26	63.50	66.04	36	88.90	91.44
7	15.24	17.78	17	40.64	43.18	27	66.04	68.58	37	91.44	93.98
8	17.78	20.32	18	43.18	45.72	28	68.58	71.12	38	93.98	96.62
9	20.32	22.86	19	45.72	48.26	29	71.12	73.66	39	96.62	99.06
10	22.86	25.40	20	48.26	50.80	30	73.66	76.20	40	99.06	101.6