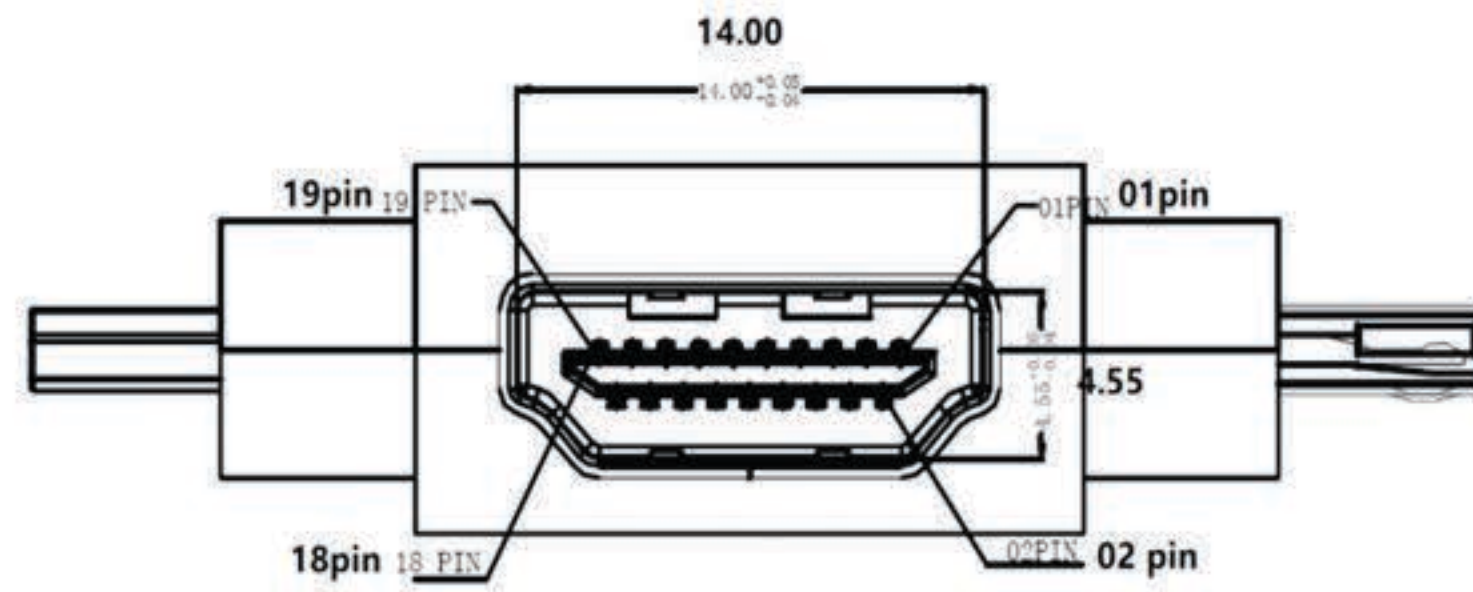
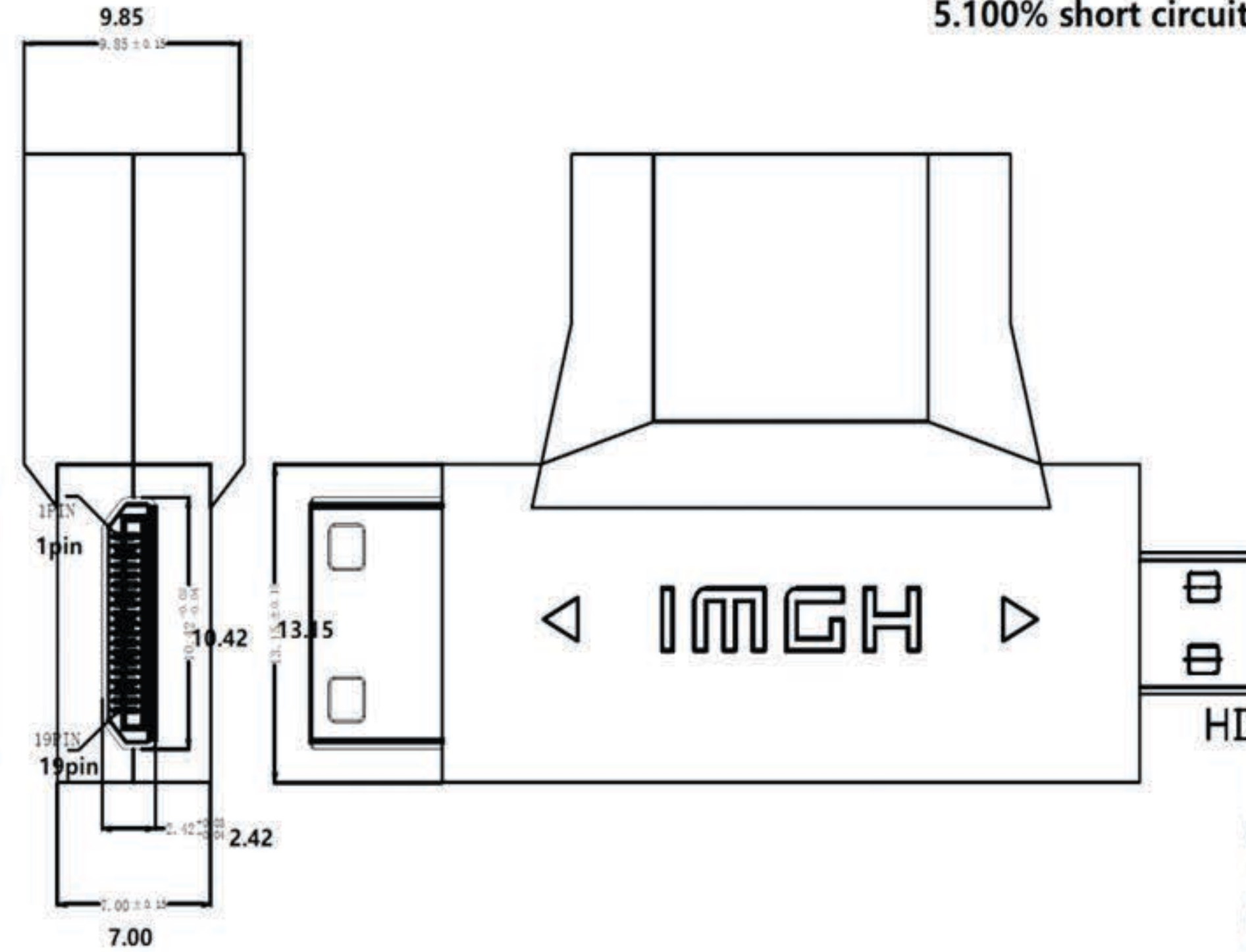
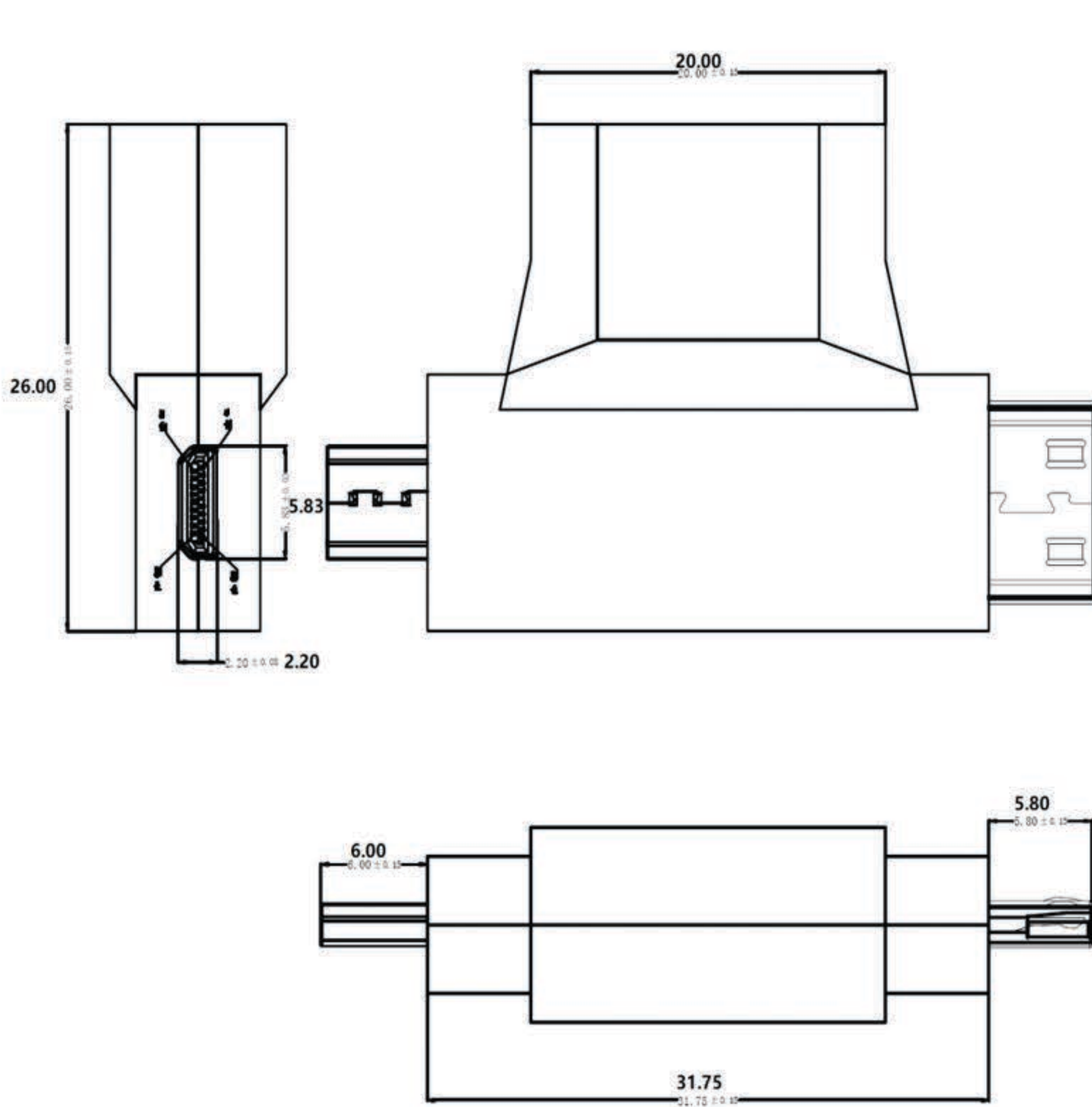


| MARK | DATE | ECN NO. | DESCRIPTION | REV. | DESIGN |
|------|------|---------|-------------|------|--------|
| ① | | | | | |



specification:

1. Withstand voltage: 300V DC MIN
2. Contact impedance: 5mΩ MAX
3. Insulation resistance: 10MΩ MIN
4. The materials used must comply with RoHS requirements
5. 100% short circuit test



PIN ASSIGNMENT

| HDMI AF | HDMI CM | HDMI DM |
|---------|---------|---------|
| 1 | 2 | 3 |
| 2 | 3 | 4 |
| 3 | 4 | 5 |
| 4 | 5 | 6 |
| 5 | 6 | 7 |
| 6 | 7 | 8 |
| 7 | 8 | 9 |
| 8 | 9 | 10 |
| 9 | 10 | 11 |
| 10 | 11 | 12 |
| 11 | 12 | 13 |
| 12 | 13 | 14 |
| 13 | 14 | 15 |
| 14 | 15 | 16 |
| 15 | 16 | 17 |
| 16 | 17 | 18 |
| 17 | 18 | 19 |
| 18 | 19 | 1 |
| 19 | 1 | 地线 |
| 地线 | 地线 | 地线 |

Material

Shell: upper cover, lower cover; black BAS material

Terminal: C5191, semi-gold tin G/F;

Shell: C2680/SPCC, all gold/nickel;

Rubber core: LCP

Shenzhen Rui Chi electronic Co. , Ltd

| UNLESS OTHERWISE SPECIFIED TOLERANCE | | | |
|--------------------------------------|-------|------|-------|
| ANG | TOL | DIM | TOL |
| .X | ±3.0° | .X | ±0.10 |
| .XX | ±2.0° | .XX | ±0.05 |
| .XXX | ±1.0° | .XXX | ±0.03 |

| DRAW NO. | DATE | TITLE | | | | |
|----------|------|----------|--|-------|------|-----|
| DESIGN | CLH | 07/16'10 | HDMI A female to HDMI mini male+Micro male adaptor | | | |
| VERIFIED | | | PART NO. HDMI F to Mini HDMI + Micro HDMI | | | |
| APPROVED | | | UNITS | SCALE | PAGE | REV |
| | | | mm | 1:1 | 1/1 | 1 |