

RS09N-30 1H



ZIP-2002.ru

RS09N-30

Electrical characteristics

The resistance: 500 Ohm - 1M

Total resistance tolerance: + 20%

characteristic impedance (A / B / C / D /), **B type**

Murmur: Less than 100mV at 20 MMC.

Insulation resistance: More than 10M & at DC 250V

High voltage: 1 minute at AC 250V

Residual resistance: Term.1 2 : Less than 10 ohm Term.2 ~ 3: Less than 10 ohm

Synchronization error (double): 40dB ~ 0dB + 3dB

Rated voltage

B: 10mm, 15mm: linear AC 100V 20mm, 25mm: AC 200V 30mm: AC 250V

Other linear: 10mm, 15mm: AC 50V 20mm, 25mm: AC 150V 30mm: AC 200V

Rated power (single / double)

B: 10mm, 15mm: linear 0.05W / 0.025W 20mm, 25mm: 0.1W / 0.05W 30mm: 0.2W / 0.1W

Other linear: 10mm, 15mm: 0.025W / 0.012W 20mm, 25mm: 0.05W / 0.025W 30mm: 0.1W / 0.05W

Mechanical properties

Force: 5 ~ 200 gf.cm

Center of force: 10 ~ 400 gf.cm

Stopper strength: 3.0Kgf.cm Min (from the base level to a point of 2mm)

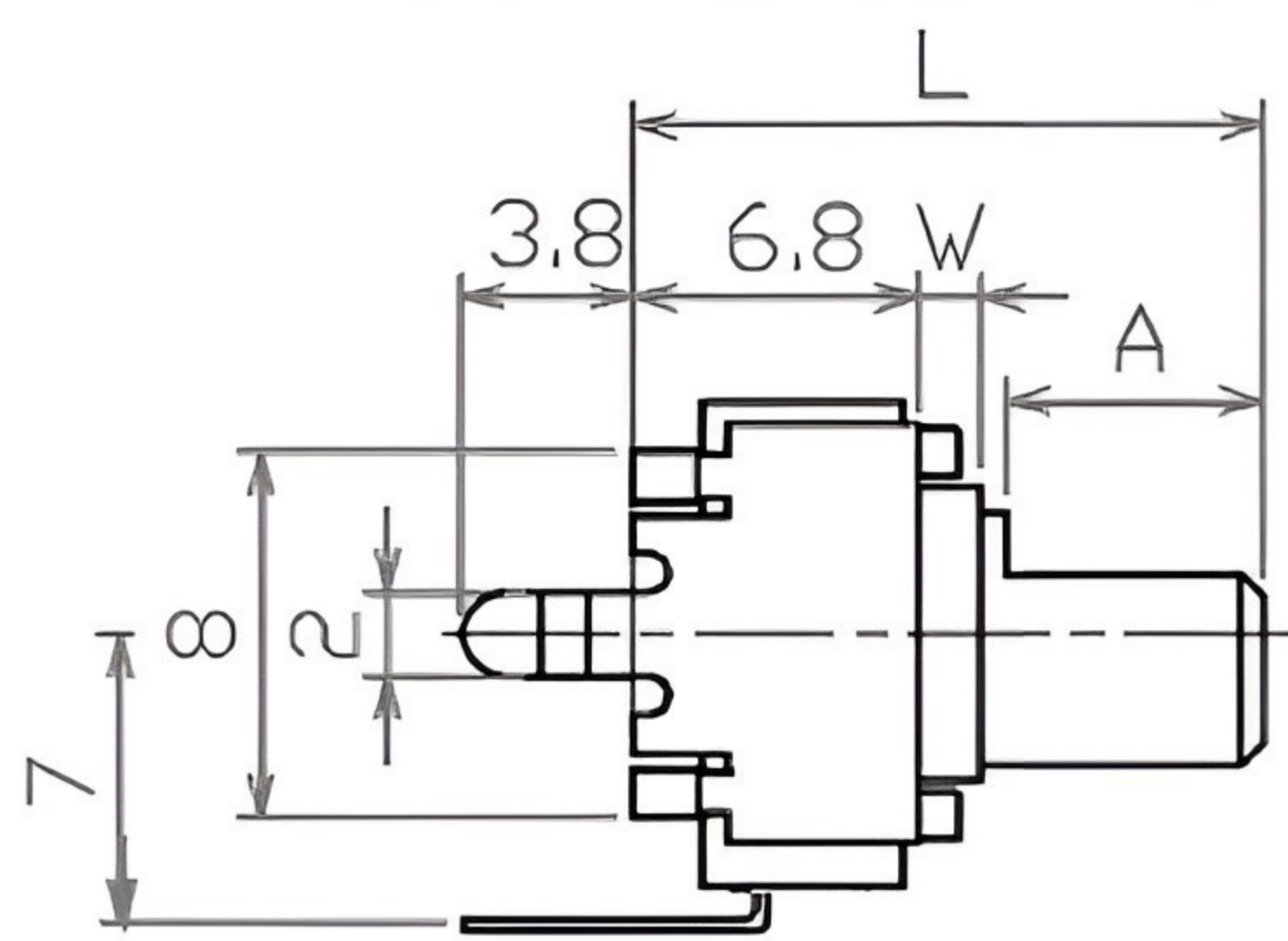
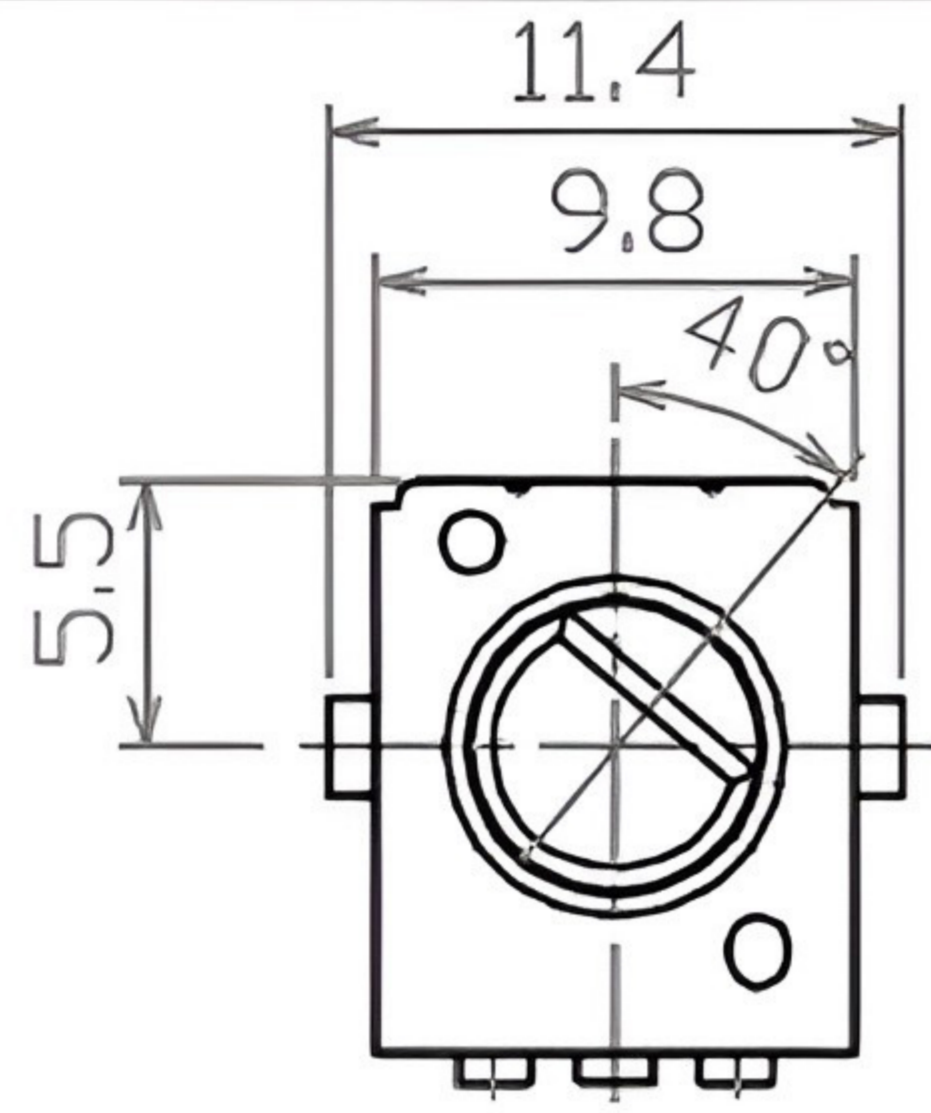
The sliding handle level sloshing capacity: 2 (2xL) / 20mm Max. (L : Level length both sides)

Horizontal sliding strength: 3 Kgf Min . At 5sec.

Durability

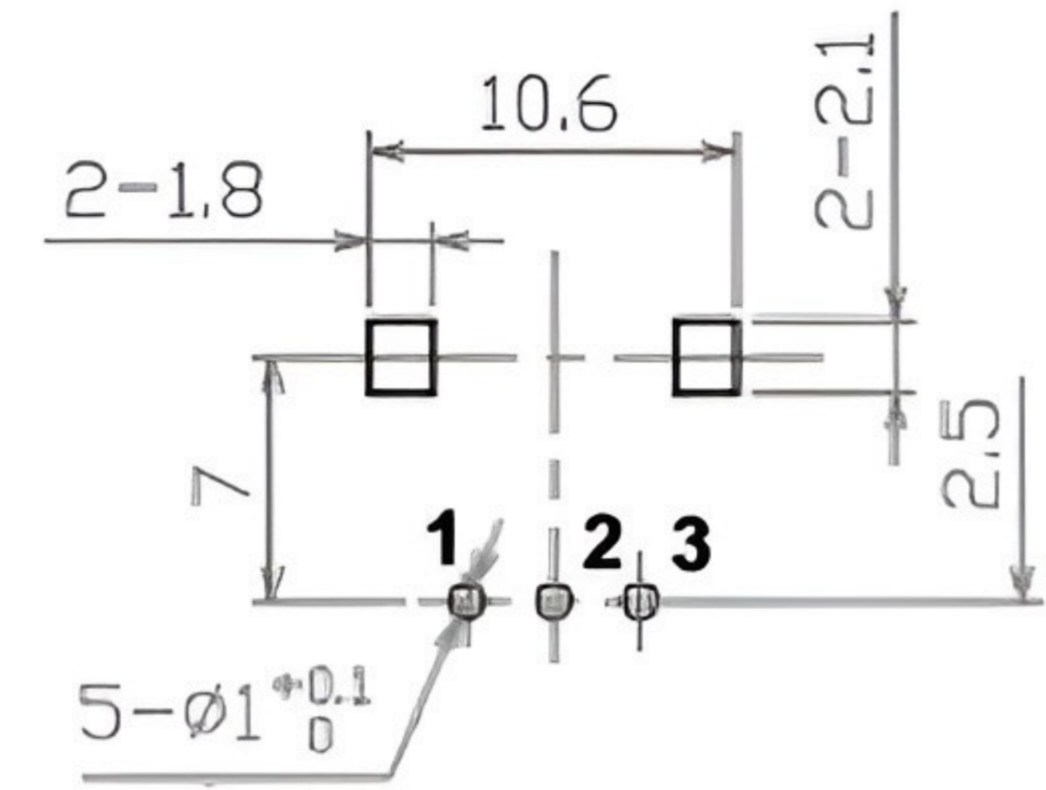
Rotational life: 10000 Cycles

Drawing



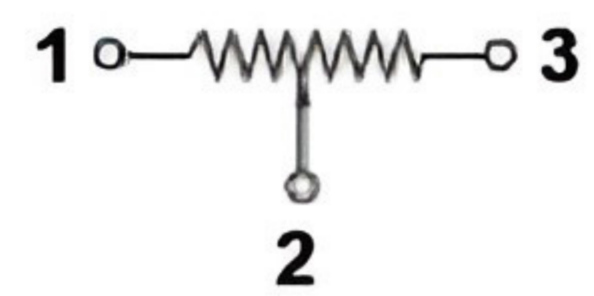
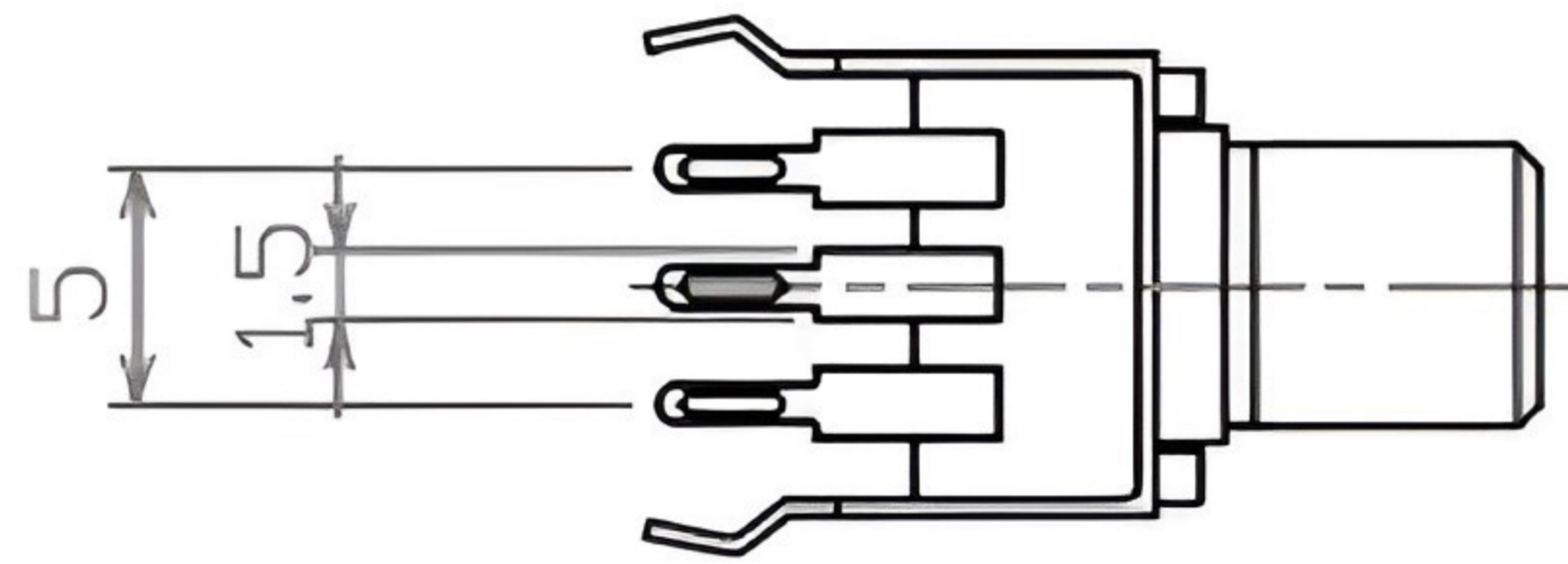
280° Rotation

Mounting hole detail



L=30

W=1.5



TAPERS (B) SERIES

