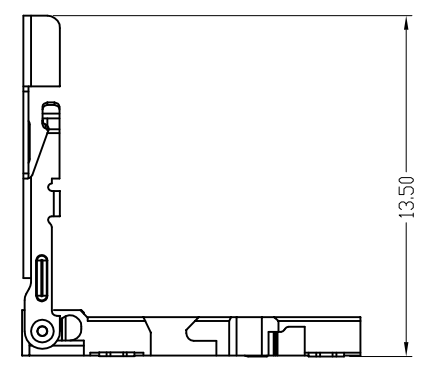
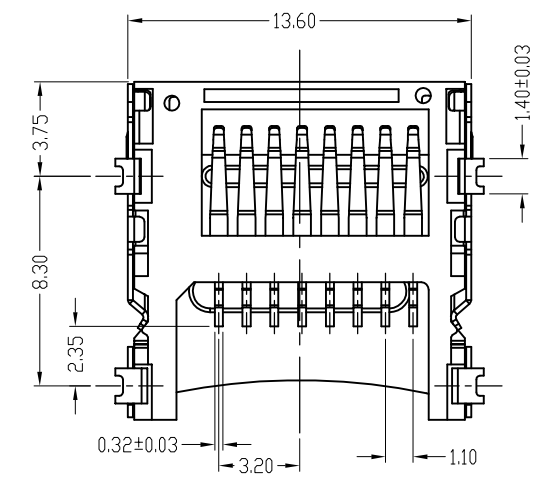
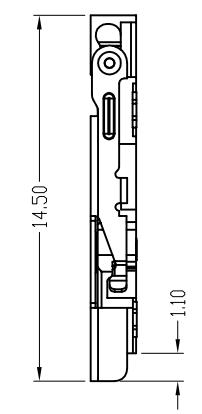
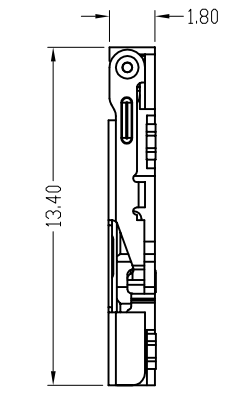
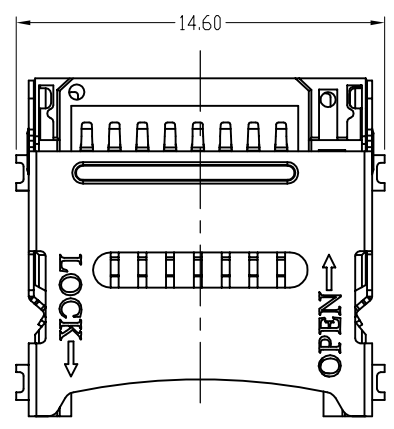


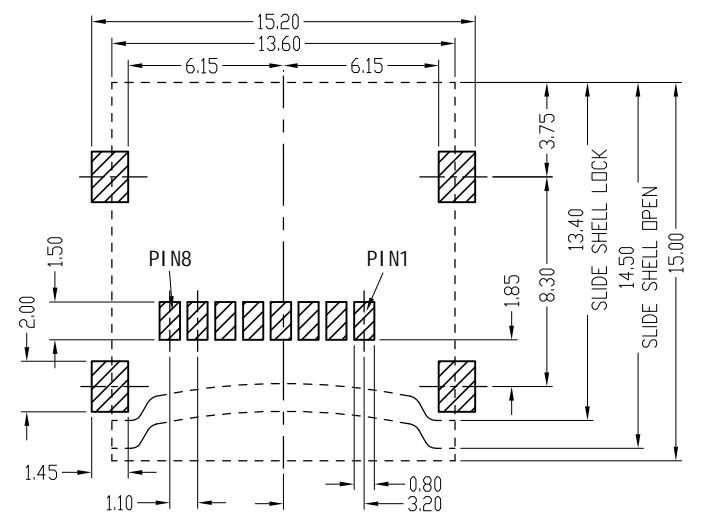
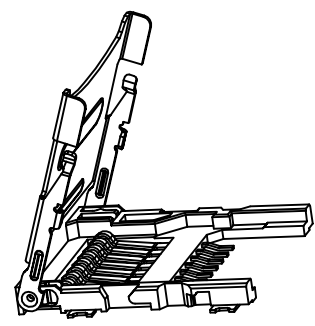
TOL:	X.X	±0.20	X.XX	±1*
	X.XX	±0.15		



- NOTES:
- MATERIALS
    - HOUSING:HIGH TEMPERATURE THERMOPLASTIC,UL94-V0.
    - TERMINAL:COPPER ALLOY.  
PLATING:NICKEL PLATED OVERALL,GOLD PLATED ON CONTACT AREA AND SOLDER TAILS.
    - SHELL:STAINLESS STEEL.  
PLATING:NICKEL PLATED OVER ALL,GOLD PLATED ON SOLDER TAILS.
  - SPECIFICATIONS:
    - CURRENT RATING: 0.5AMP MAX.
    - DIELECTRIC WITHSTANDING VOLTAGE: 500V AC FOR 1 MINUTE.
    - CONTACT RESISTANCE: 100m OHMS MAX.
    - INSULATION RESISTANCE: 100M OHMS MIN AT 250V DC.
    - DURABILITY(LIFE CYCLES): 3000 CYCLES.
    - OPERATION TEMPERATURE: -25° C~+85° C.

A3

PIN NUMBER	PIN NAME
PIN 1	DAT2
PIN 2	CD/DAT3
PIN 3	CMD
PIN 4	VDD
PIN 5	CLK
PIN 6	VSS
PIN 7	DAT0
PIN 8	DAT1 <sup>2</sup>



RECOMMEND PCB LAYOUT, TOP VIEW  
TOLERANCE: ±0.05  
 PCB AREA CONNECT AREA

REV	ECN DESCRIPTION	DATE	CHANGE	UNIT: mm		DESIGN: 奎	TITLE:
A2	修改文字方向、位置、尺寸	2012/08/03	方奎	SCALE: 1:1	A4	CHECK:	T-flash掀盖式CARD 1.8H
A3	增加PIN的定义	2014-08-29	余玲玲	PAGE: 1/1	REV: A/3	APPR:	P/N. TFX-18-001P

	<p style="text-align: center;"><b>产品规格书</b> Product Specification</p>	核准 Approved	Min Jie
		版本/日期 Rev./Date	A / 2016-02-26
		页次 Sheet	1 / 3

## 1. 范围 Scope

该标准涵盖本公司生产的 T-FLASH 连接器之功能要求及测试方法。

This standard covers the company production of T - FLASH connector function requirements and test methods.

## 2. 标准文件 Related Standards

2-1 IEC512

## 3. 一般规格 General Specification

### 3-1 额定电流 Current Rating

0.5A Max. AC(rms)/DC /Contact

### 3-2 额定电压 Voltage Rating

5V Max. AC(rms)/DC /Contact

### 3-3 工作环境 Operating Environment

温度 Temperature: -40°C~+85°C

湿度 Humidity: 80% maximum

### 3-4 储存环境 Storage Environment

温度 Temperature: -10°C~+30°C

湿度 Humidity: 70% maximum

## 4. 材料及尺寸 Material and dimensions

### 4-1 产品材料 Product Material:

塑胶主体 housing: 耐高温,热塑性材料,阻燃等级 UL94V-0,

High temperature, Thermo-plastic, UL94V-0.

端子 contact: 磷青铜 phosphor bronze

外壳 Shell: 不锈钢 stainless steel

焊片 Peg: 磷青铜 phosphor bronze

### 4-2 产品尺寸及电镀 Product dimensions and plating:

请参考所附客户图或料号编码原则 please refer to the attached drawing or product numbering code

### 4-3 产品有害物质符合ROHS有关规定.

The harmful material should be compliance to requirement about ROHS.

	<b>产品规格书</b> <b>Product Specification</b>	核准 Approved	Min Jie
		版本/日期 Rev./Date	A / 2016-02-26
		页次 Sheet	2 / 3

**5. 产品外观 PRODUCT APPEARANCE**

项目 ITEM	描述 Description	测试方法 Test Methods	测试规格 Test Specification
5-1	产品外观 Examination of Product	依据 IEC512-2 测试 1a&1b 肉眼观察，产品外形必须符合图纸要求。 IEC512-2 Test 1a and 1b Shall be confirmed with eyes in accordance with each drawing.	产品外观良好，无外观不良情形，产品结构及尺寸亦须符合图纸设计要求 Outward appearance shall be good without such injurious problem and structure shall be meet the design and dimension requirement of drawing
5-2	电镀膜厚测试 Plating Thickness Measurement	肉眼观察电镀层外观并使用适当的仪器设备进行膜厚测试 Shall be confirmed with eyes in accordance with each drawing. Shall be confirmed by using proper measuring instruments	电镀层须良好无外观不良情况，电镀膜厚测试须满足设计或图纸需求 Outward appearance shall be good without such injurious problem and thickness shall be meet the design requirement of drawing

**6. 机械性能 MECHANICAL PERFORMANCE**

项目 ITEM	描述 Description	测试方法 Test Methods	测试规格 Test Specification
6-1	信号端子弹力 Signal Contact Normal Force	在同一测量方向用标准的测力治具及专用测试设备（下压到离塑胶面0.10mm） EIA-364-04 Measure contact normal force: terminal contact point (0.10mm over the housing face)	端子弹力：0.4N 最小 Normal Force:0.4N MIN
6-2	耐插拔 Durability	将连接器成品焊接在pcb板上使用模拟测试卡进行卡放入 取出操作,SHELL 从锁住到掀开为一个测试周期，卡放入--1,000次，测试速度，400-600次每小时 SOLDERED CONNECTOR ON THE PCB, THEN PUT DUMMY CARD IN-OUT CONECTOR, SHELL FORM LOCKED TO OPEN IS A CYCLE TEST SPEED :400-600/H	外观：无破损 铁壳无脱落、电阻： $\leq 100 \text{ m}\Omega$ Appearance: No Damage; Shell can't be Insecure and desquamation, Contact Resistance: $\leq 100 \text{ m}\Omega$

**7. 电气特性 ELECTRICAL PERFORMANCE**

项目 ITEM	描述 Description	测试方法 Test Methods	测试规格 Test Specification
7-1	绝缘阻抗 Insulation Resistance	依据 IEC512-2 测试 3a 方法 B, 加DC250V 的电压于相邻两接触件之间 1分钟 IEC512-2 Test 3a, Method B Applied DC 250V for one minute between adjacent contacts.	100 M $\Omega$ Min
7-2	接触电阻 Contact Resistance	依据 IEC512-2 测试 2a模拟卡与端子间的接触电阻应满足要求,测试电流 100mA 以下 IEC512-2 Test 2a Measuring current:100mA or less	50 m $\Omega$ Max
7-3	耐电压 Dielectric withstanding Voltage	依据 IEC512-2, 测试 4a,端子与端子之间和端子与塑胶之间的绝缘应能承受 50HZ/60HZ,500V AC 电压 1 分钟的作用 IEC512-2, Test 4a 50HZ/60HZ,500V AC for 1 minute	无击穿和飞弧现象 There shall be no breakdown

	<b>产品规格书</b> <b>Product Specification</b>	核准 Approved	Min Jie
		版本/日期 Rev./Date	A / 2016-02-26
		页次 Sheet	3 / 3

8. 环境特性：

8-1	焊接性 Solder ability	<p>依据 IEC512-6 测试 12a 将焊接端子浸入 <math>260\pm 5^{\circ}\text{C}</math> 的溶锡中 <math>3\pm 0.5</math> 秒浸入深度最少为 2mm</p> <p><b>IEC512-6 Test 12a</b> Solder temperature: <math>(260\pm 5)^{\circ}\text{C}</math> mmersion time <math>(3\pm 0.5)\text{s}</math>          Immersion depth: up to 2mm from the terminal tip.</p>	<p>浸锡部分表面须 95% 以上沾锡良好。</p> <p>More than 95% of immersed area shall be covered with solder</p>
8-2	耐回流焊热性 Resistance to Reflow Soldering Heat	<p style="text-align: center;"> <small>TEMPERATURE / TIME PROFILE</small>  <small>TEMPERATURE ON BOARD PATTERN SIDE</small> </p>	<p>外观应无损伤，端子不应松动，塑胶不应变形。</p> <p>No shake ,No deformation</p>
8-3	盐雾测试 Salt spray	<p>IEC512-6 测试, 连接器须满足以下要求          盐水浓度: <math>5\pm 1\%</math> 实验温度: <math>35\pm 2^{\circ}\text{C}</math> 持续时间: 镀金区 <math>12\pm 4</math> 小时, 测试后常温水洗, 干燥。镀锡区 <math>4\pm 2</math> 小时</p> <p>IEC512-6 ,Test 1f connector shall be subjected to the following condition: Salt water concentration: <math>5\pm 1\%</math> weight ratio; Temperature: <math>35\pm 2^{\circ}\text{C}</math> Spray time :Plating Au:<math>24\pm 4</math>hours Ambient Plating Tin <math>4\pm 2</math>hours</p>	<p>外观无明显腐蚀          Appearance:          No evident corrosion</p>