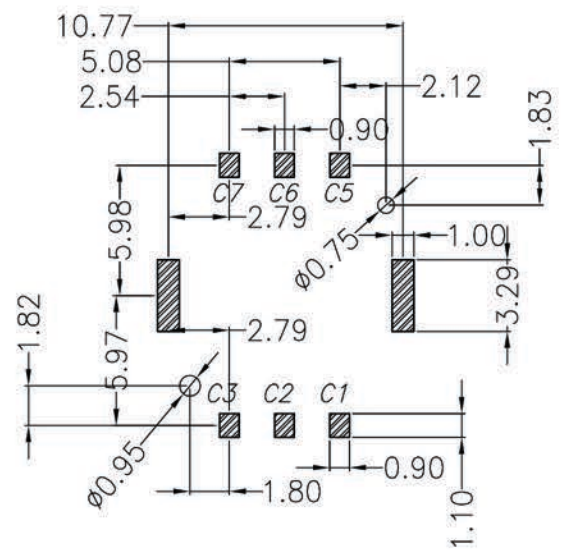
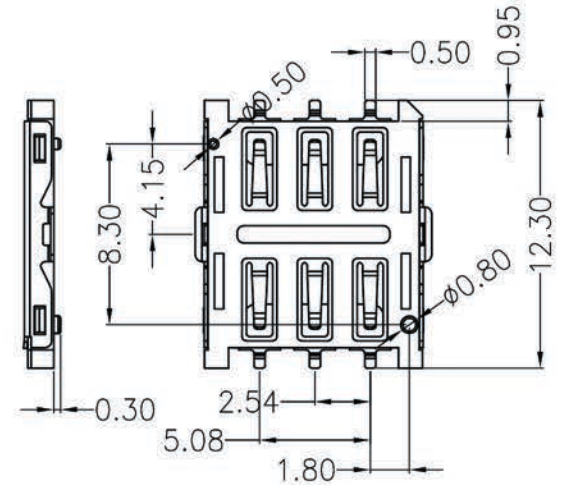
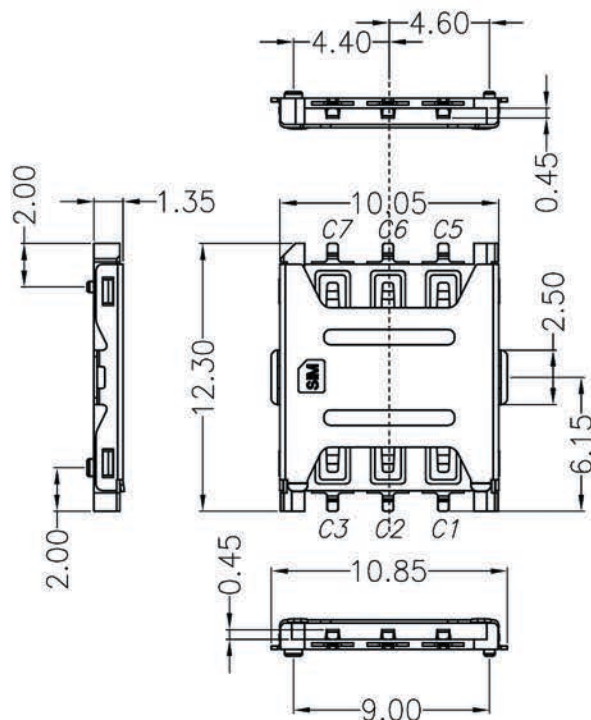


REV.	ECN.NO.	MODIFY.CONTENT	DATE
A		NEW	2016/05/29

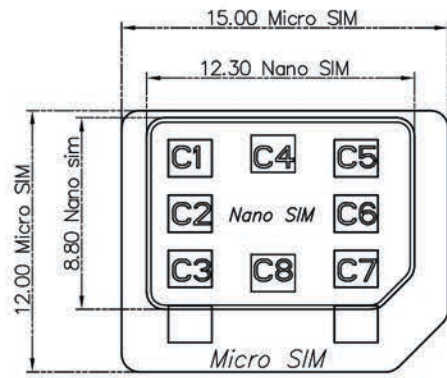


Specification

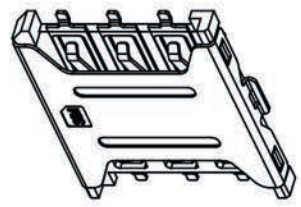
MATERIAL:
 Insulator: High Temperature Thermoplastic, UL 94V-0.
 Contact: C5210
 SHELL: SUS

PLATING:
 Contact: Plated 50u" Ni Overall Contact ALL Au IU,
 Shell: Plated 50u" Ni Overall, PAD Au IU

Electrical:
 Current Rating :0.5mA AC/DC max.
 Voltage Rating :125V AC/DC
 Ambient Temperature Range :-20° C~+60° C
 Storage Temperature Range :-40° C~+70° C
 Ambient Humidity Range :95% R.H. Max.
 Contact Resistance:100mΩmax.
 Insulation Resistance:1000MΩmin./500VDC
 Mating Cycles:10,000 Insertions
 Reflow peak temp.: 260° C ±5° C, 3"5 S
 Mating Cycles:3,000 Insertions Min



SIM pin assignment	
PIN#	Name
C1	VCC 供电电压
C2	RST 重置
C3	CLK 时钟
C5	GND 接地
C6	VPP 程序电压
C7	I/O 输入输出



GENERAL TOLERANCE		DWG NO.	JYSA1229-001	APPD:	WIND	Scale	1:1
X.±0.45	x.±5'	Title	NANO SIM 6PIN 有柱 1.35H	CHKD:		UNIT	mm
.X±0.35	.X'±2'			DR:			
.XX±0.25	.xx'±1'	Part NO.	XYX-SIM135-116	Date	2016/05/29		
.XXX±0.15	.xxx'±0.5'						
SHEET	1/1						