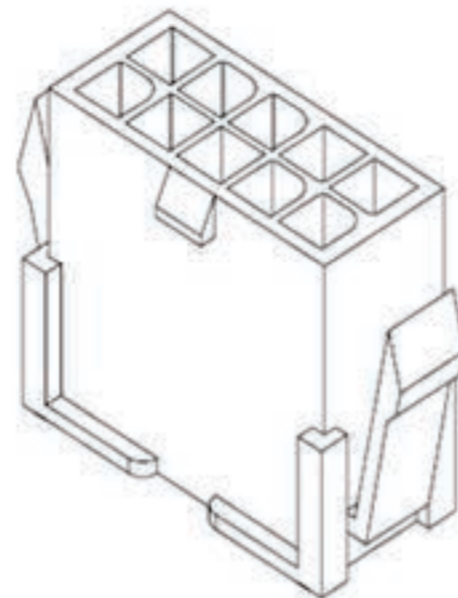
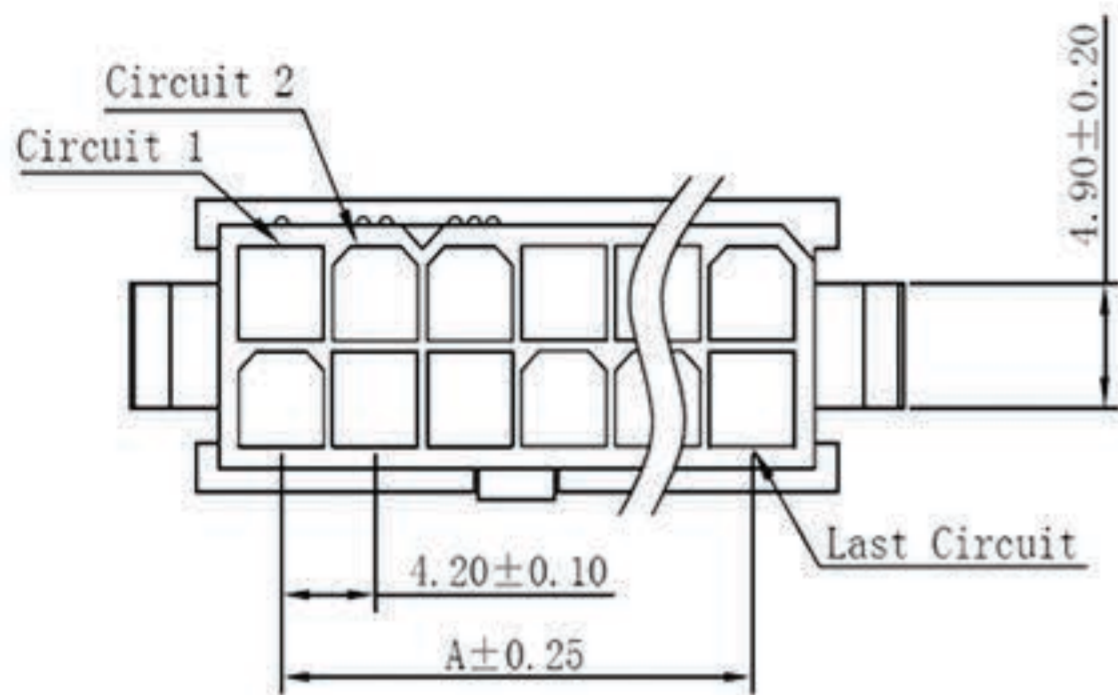
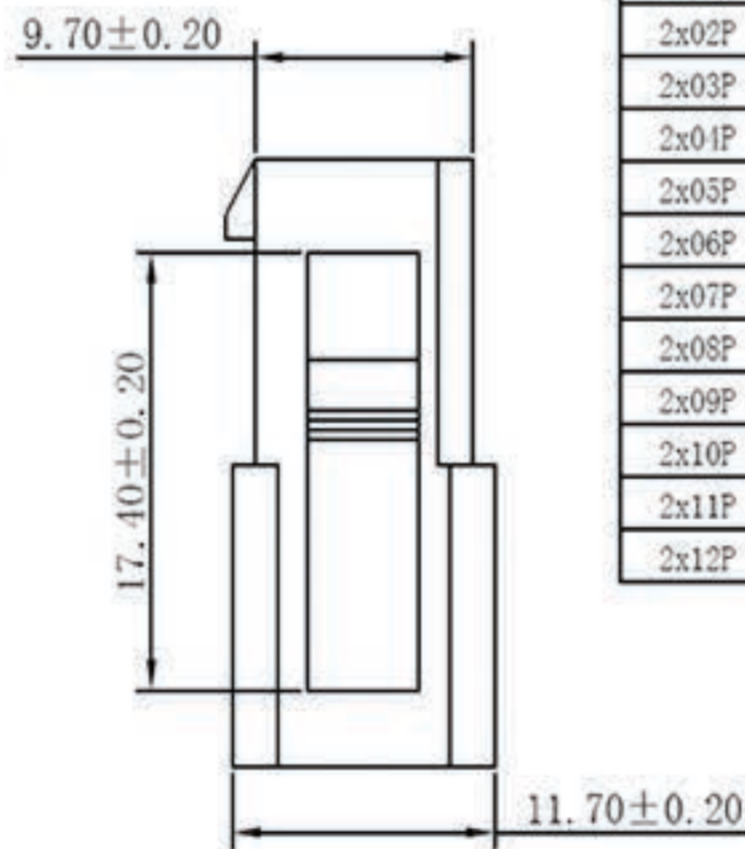
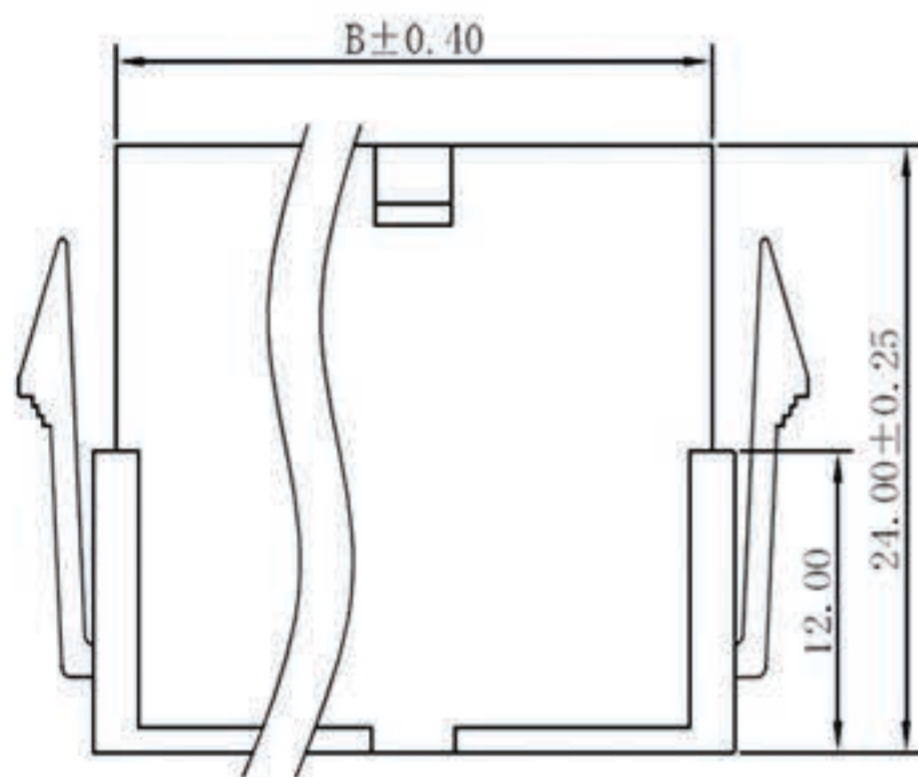


ITEM:MF-2x_M

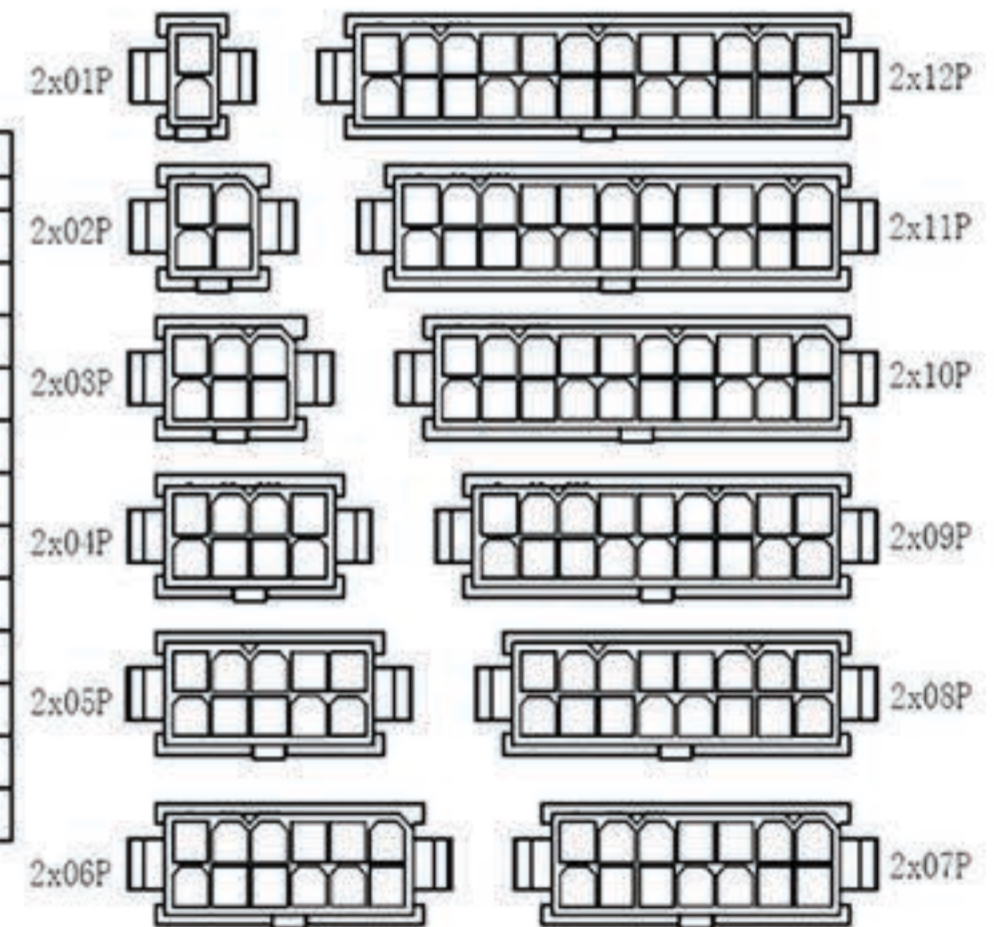


SPECIFICATIONS (规格)

- Voltage Rating (额定电压): 600V AC, DC
- Current Rating (额定电流): 7A, AC, DC
- Withstanding Voltage (耐电压): 1500V AC/minute
- Insulation Resistance (绝缘电阻): 1000MΩ min
- Temperature Range (工作温度): -25° C ~ +85° C
- Contact Resistance (接触电阻): 10mΩ max
- Material:
- Insulator: Nylon 66 UL94V-2 or UL94V-0



PART NO.	Dimensions (mm)	
	A	B
2x01P	-	5.40
2x02P	4.20	9.60
2x03P	8.40	13.80
2x04P	12.60	18.00
2x05P	16.80	22.20
2x06P	21.00	26.40
2x07P	25.20	30.60
2x08P	29.40	34.80
2x09P	33.60	39.00
2x10P	37.80	43.20
2x11P	42.00	47.40
2x12P	46.20	51.60



RoHS Compliant

Shenzhen Rui Chi electronic Co., Ltd

一般公差 GENERAL TOLERANCE:	.0 ± 0.20 .00 ± 0.15 .000 ± 0.05	投影法 Projection		品名 (PART NAME)	Pitch 4.20mm 母Housing 2xN
绘图/DR	chen	单位 Unit	MM	料号 (PART NO)	MF-2x_M
核准/APPD	陈旺	比例 Scale	1/1		
日期/DATE	2015-7-17	版本 Rev	A		

REV.	变更内容/DESCRIPTION	日期/DATE	BY
A	新规格作成	2015-7-17	chen