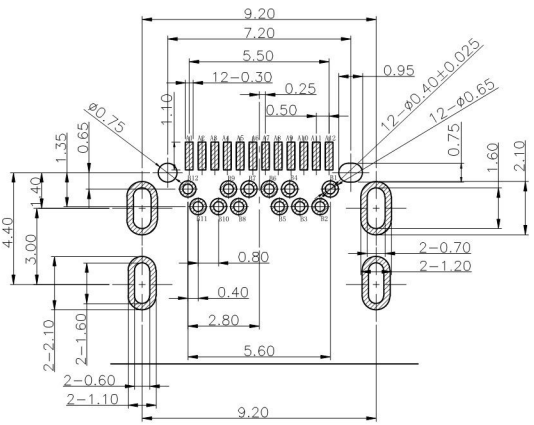
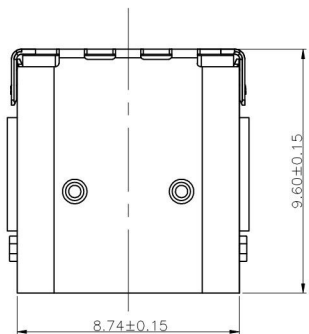
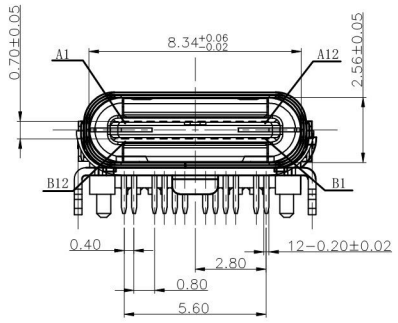
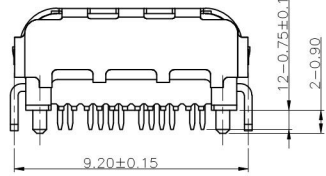
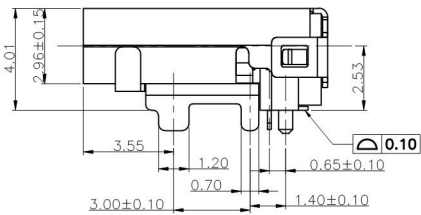


REV	ECN NO.	DISCRIPTION	CHEKED/DATE	APPD/DATE

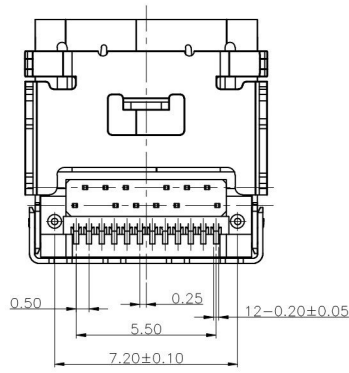


RECOMMENDED P.C.B LAYOUT  
PCB THICKNESS 1.0±0.05mm



- NOTES:
- MATERIAL:  
MOLDING: LCP UL94 V-0  
CONTACT: COPPER ALLOY.  
GOLD PLATED Min ON CONTACT AREA, 100u"  
Min TIN (LEAD FREE) ON SOLDER AREA,  
SHELL: SUS304-H,T=0.30±0.03mm  
50u" NICKEL PLATING OVER ALL.  
SHILD: SUS304-H,T=0.12±0.03mm
  - MECHANICAL:  
INSERTION: 5~20N.  
EXTRACTION: 8~20N AFTER TEST.  
DURABILITY: 10000 CYCLES
  - ELECTRICAL:  
CURRENT: 5A FOR VBUS;  
1.25A FOR GND PIN.  
0.25A FOR OTHER.  
VOLTAGE: 20 V MAX  
WITHSTANDING VOLTAGE: 100V AC R.M.S.  
CONTACT RESISTANCE: 40mΩ MAX.  
INSULATION RESISTANCE: 100MΩ MIN.
  - ENVIRONMENTAL  
TEMPERATURE RANGE -25°C ~ +85°C

### ITEM:USB3.1 TYPE-C 24PF-022



USBTYPE-CFULL-FEATUREDRECEPTACLEINTERFACEPINASSIGNMENTS

Pin	Signal Name	Description	Pin	Signal Name	Description
A1	GND	Groundreturn	B12	GND	Groundreturn
A2	SSTxp1	PositiveforFirst SuperSpeedTX differentialpair	B11	SSTxp1	PositiveforFirst SuperSpeed RX differentialpair
A3	SSTxn1	Negativefor First SuperSpeedTX differentialpair	B10	SSTxn1	Negativefor First SuperSpeed RX differentialpair
A4	Vb	BusPower	B9	Vb	BusPower
A5	CC1	Configuration Channel	B8	SRU2	SidebandUse (SRU)
A6	Dp1	Positivefor the USB2.0differential pair-Position 1	B7	Dn2	Negativefor the USB2.0differential pair-Position 2
A7	Dn1	Negativefor the USB2.0differential pair-Position 1	B6	Dp2	Positivefor the USB2.0differential pair-Position 2
A8	SRU1	SidebandUse (SRU)	B5	CC2	Configuration Channel
A9	Vb	BusPower	B4	Vb	BusPower
A10	SSTxp2	Negativefor secondSuperSpeed TXdifferentialpair	B3	SSTxn2	Negativefor secondSuperSpeed TXdifferentialpair
A11	SSTxp2	Positivefor secondSuperSpeed TXdifferentialpair	B2	SSTxp2	Positivefor secondSuperSpeed TXdifferentialpair
A12	GND	Groundreturn	B1	GND	Groundreturn

RUI CHI

.X:±0.25	X:±1°		APP.	DWG NO.	XWUC3009(CU)
.XX:±0.15	.X:±0.5°		CHK.	TITLE	
.XXX:±0.05	.XX:±0.02°		DGN.	SERIES	
UNIT	mm		DRW.		
SCALE	1:1				
REV.	A0	SHEET: 1/1			